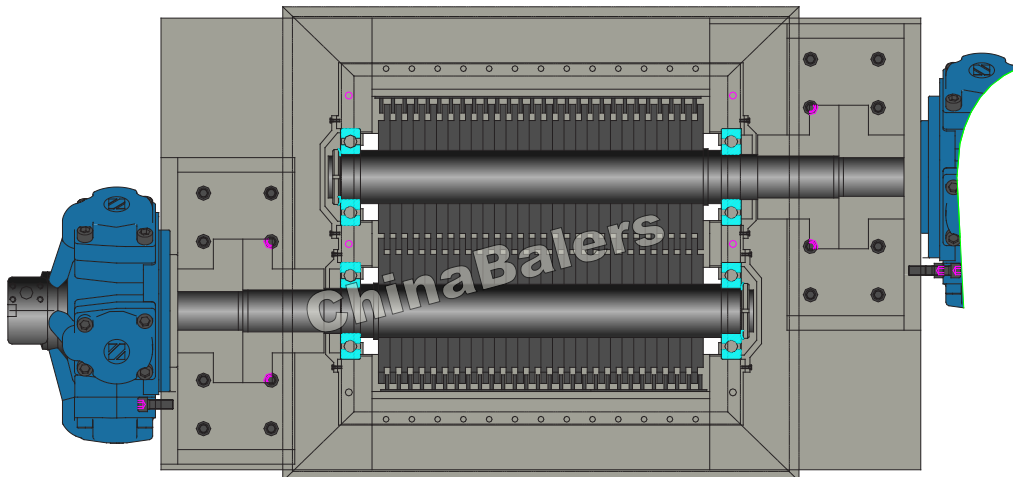
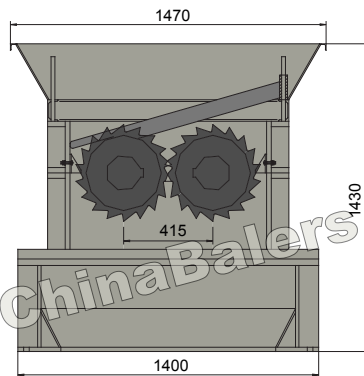
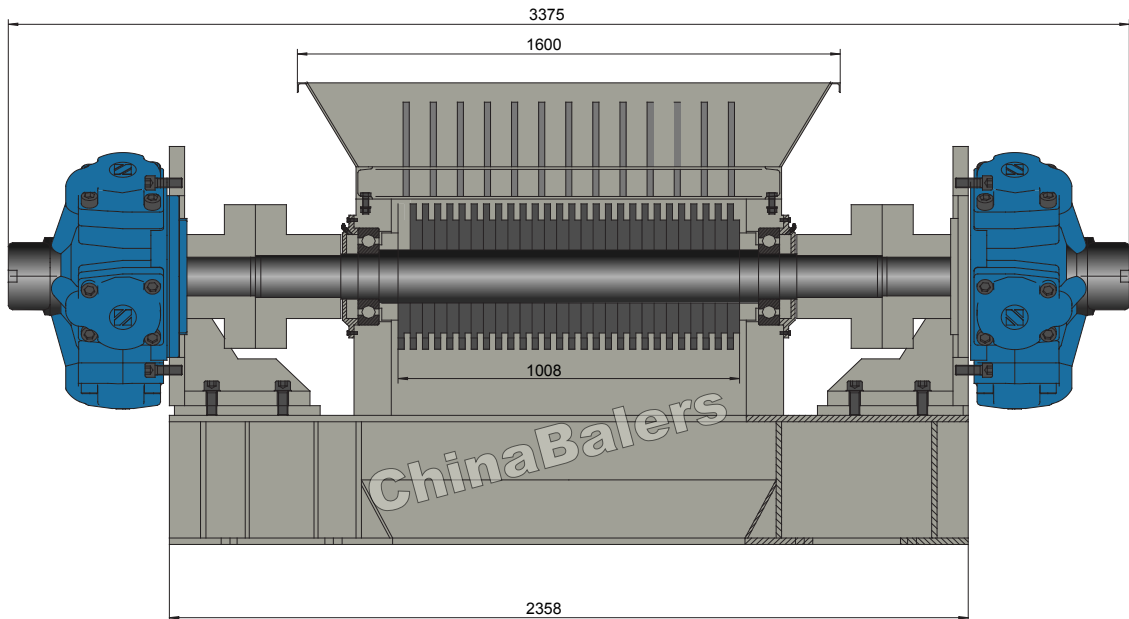
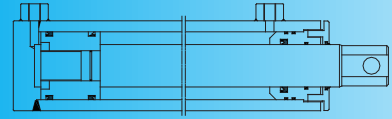
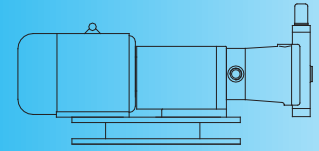


PS-45100



PS-45100



Turnings Crusher

Model: PS-45100

Power System (Motor, 2 sets)

Motor #1: Y280S-4/B35
Rated Power: 75 kW
Rated Speed: 1480 rpm
Power Spec: 3PH, 50 / 60Hz

Motor #2: Y200L-4/B35
Rated Power: 30 kW
Rated Speed: 1480 rpm
Power Spec: 3PH, 50 / 60Hz

Hydraulic Pump, 2 sets

Pump #1: HY160S-RP
Rated Displacement: 160 ml/r
Max Operating Pressure: 31.5 MPa

Pump #2: HY80S-RP
Rated Displacement: 80 ml/r
Max Operating Pressure: 31.5 MPa

Hydraulic Motor, 2 sets

Type: JMDG100-8000B
Rated Displacement: 7963 ml/r
Rotation Range: 0.5~125 rpm
Rated Torque: 28744 N·m
Max. Operating Pressure: 25 MPa

System Parameters

Hydraulic System Pressure: 16 MPa

Operation System

PLC Operation

Standard Configuration

Oil Cooler; Blade Material Cr12MoV

Optional Configuration

Oil Heater; Magnetic Oil Filter

General Description

Main Machine Size (L×W×H): 3375×1470×1430 mm
Feed Opening (L×W): 1600×1470 mm
Main Shaft: φ450×1000 mm
Main Shaft Rotation Speed: 30 rpm
Finished Product (Steel Turnings): 25-50 mm
Production Rate (Steel Turnings): 2.0-4.0 tons/hr
Shipping Weight: Approx. 7 tons
Loading (Standard Containers): 1×20'GP

Hydraulic Oil Brand

Oil Tank Volume:

2400 ltr

ISO VG	China	U.S.		Britain	France
	GB11118.1	CALTEX CO.	MOBIL	SHELL	ELF CO.
HM 46	46 #	Rando HD46	D.T.E46	Tellus 46	Elfolna 46
HM 68	68 #	Rando HD68	D.T.E68	Tellus 68	Elfolna 68

Above information are indicative not engaging. Rights reserved for change if necessary.