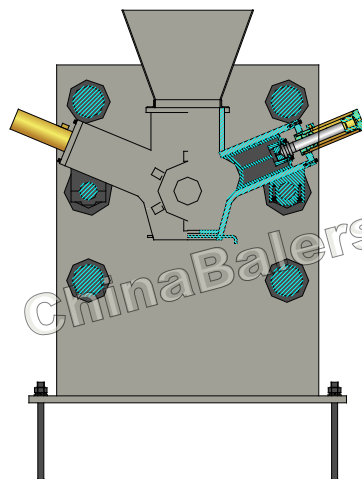
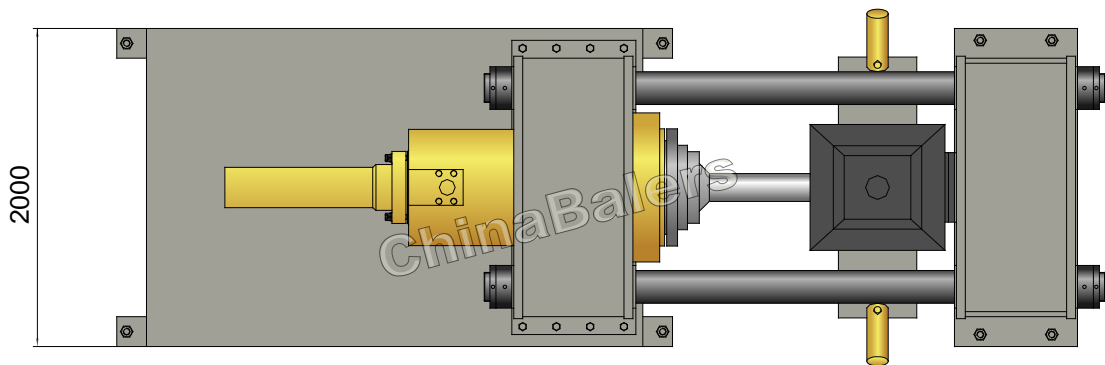
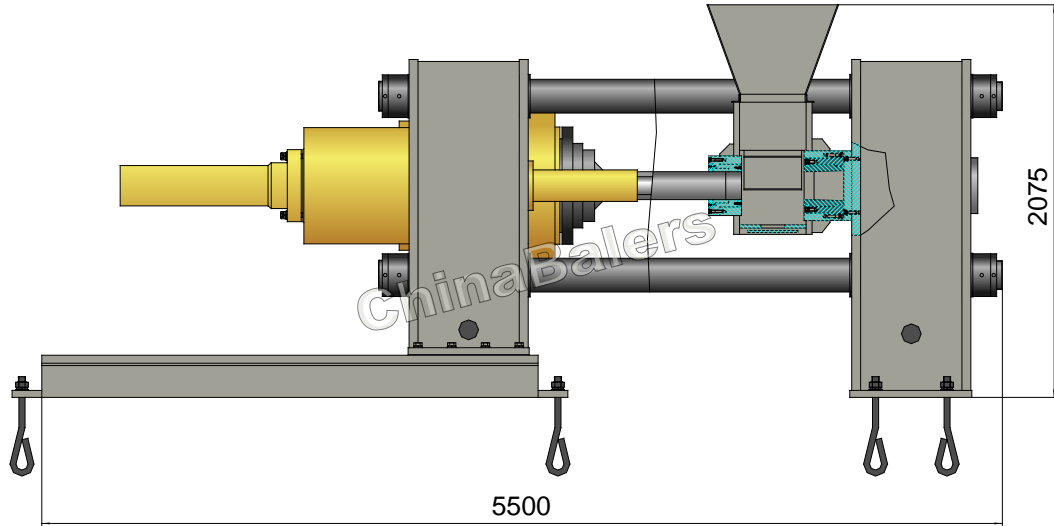
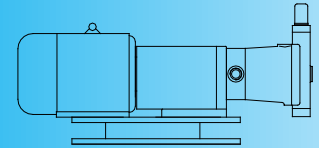


# YE83-500W



# YE83-500W



## Swarf Briquetting Machine

Model: YE83-500W

### Power System (Motor, 2 sets)

Motor #1, #2:	Y315M-6, Y225M-6
Rated Power:	90, 30 kW
Rated Speed:	990, 980 rpm
Power Spec:	3PH, 50 / 60Hz

### Hydraulic System (Pump, 3 sets)

Pump #1, #2, #3:	250YCY, 160YCY
Rated Displacement:	250, 160 ml/r
Max Operating Pressure:	31.5 MPa

### Standard Configuration

NOK (JAPAN) Seal Packings for Cylinders;  
Cooler / Heater; Magnetic Oil Filter.

### General Description

Main Machine Size (L×W×H):	5500×2000×1900 mm
Press Mould Size (Dia×H):	Φ160×(400+200) mm
Pressure on Briquet:	248 MPa
Briquet Size (Dia×H):	Φ160×(110-130) mm
Briquet Weight (Cast Iron):	12.1-14.3 kg
Production Rate (Cast Iron):	2800-3500 kg/hr
Shipping Weight:	
Loading (Standard Containers):	1×40'GP

### System Parameters

Main Cyl. Force:	490 Ton
Auxiliary Cyl. Force:	60 Ton
Pre-compression Cyl. Force:	20 Ton
Discharging Cyl. Force:	30 Ton
Hydraulic System Pressure:	25.5 MPa
Idle Cycle Time:	12-15 Sec

### Operation System

PLC Operation; Cartridge Valves.

### Optional Configuration

Feeding Conveyor & Vibrating Motor;  
Diesel / Diesel Generator for Power.

### Hydraulic Oil Brand

### Oil Tank Volume:

ISO VG	China	U.S.		Britain	France
	GB11118.1	CALTEX CO.	MOBIL	SHELL	ELF CO.
HM 46	46 #	Rando HD46	D.T.E46	Tellus 46	Elfolna 46
HM 68	68 #	Rando HD68	D.T.E68	Tellus 68	Elfolna 68

Above information are indicative not engaging. Rights reserved for change if necessary.