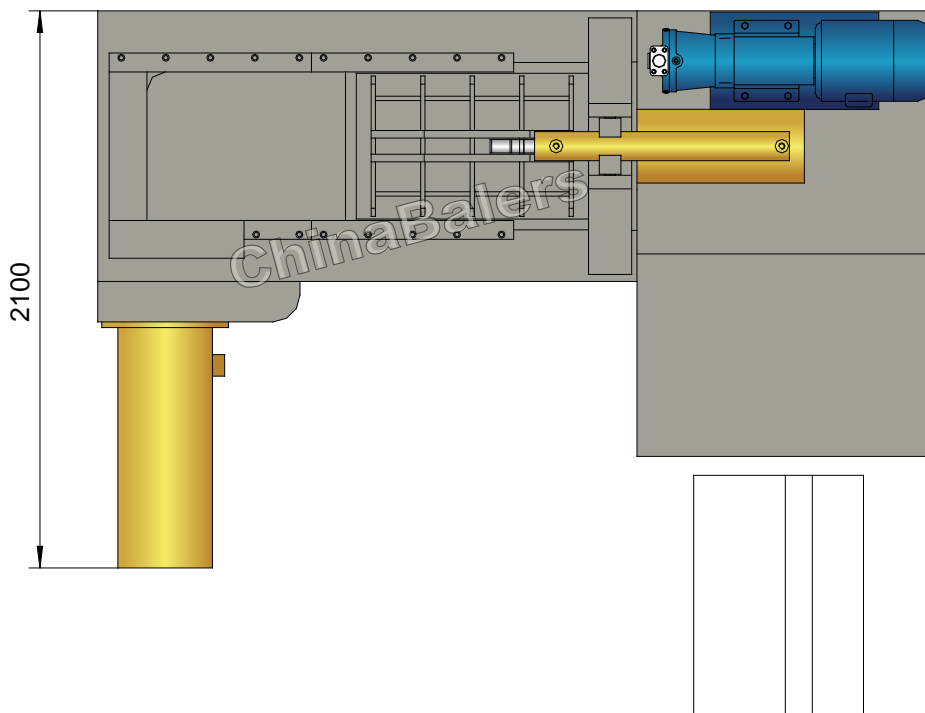
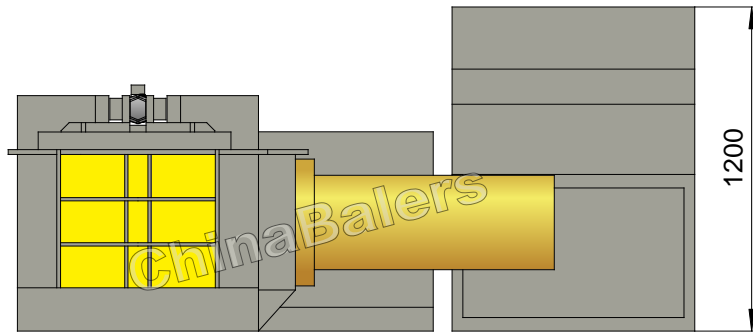
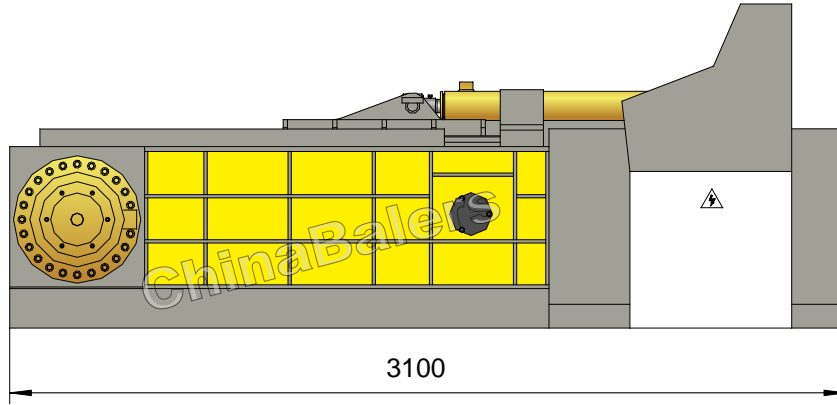


# YE81-150Y



# YE81-150Y



## Stainless Steel Compactor

Model: YE81-150Y

### Power System (Motor)

Type:	Y200L1-6
Rated Power:	18.5 kW
Rated Speed:	970 rpm
Power Spec:	3PH, 50 / 60Hz

### System Parameters

Lid Cyl. Force:	12.5 Ton
Side Pressure Cyl. Force:	100 Ton
Main Pressure Cyl. Force:	150 Ton
Hydraulic System Pressure:	25 MPa
Idle Cycle Time:	Approx. 100 Sec

### Hydraulic System (Pump)

Type:	80YCY14-1B
Rated Displacement:	80 ml/r
Max Operating Pressure:	31.5 MPa

### Operation System

PLC Operation

### Standard Configuration

#45 Steel Liners, Wholly Heat Treated;  
NOK (JAPAN) Seal Packings for Cylinders;  
Cooler / Heater; Magnetic Oil Filter.

### Optional Configuration

Mn65 Steel Liners for Whole Press Box;  
Diesel / Diesel Generator for Power.

### General Description

Main Machine Size (L×W×H):	3100×2100×1200 mm
Press Box Size (L×W×H):	900×550×500 mm
Bale Size (Dia×H):	φ135×500 mm
Bale Weight (Stainless Steel):	Approx. 20 kg
Production Rate (Stainless Steel):	0.4-0.5 tons/hr
Shipping Weight:	Approx. 4.5 tons
Loading (Standard Containers):	1×20'GP

### Hydraulic Oil Brand

Oil Tank Volume:

600 ltr

ISO VG	China	U.S.		Britain	France
	GB11118.1	CALTEX CO.	MOBIL	SHELL	ELF CO.
HM 46	46 #	Rando HD46	D.T.E46	Tellus 46	Elfolna 46
HM 68	68 #	Rando HD68	D.T.E68	Tellus 68	Elfolna 68

Above information are indicative not engaging. Rights reserved for change if necessary.