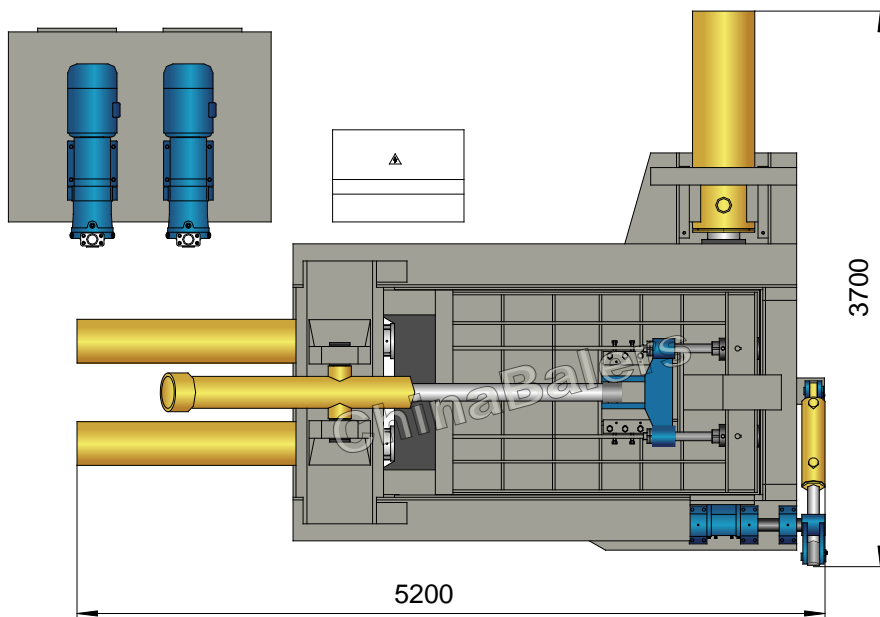
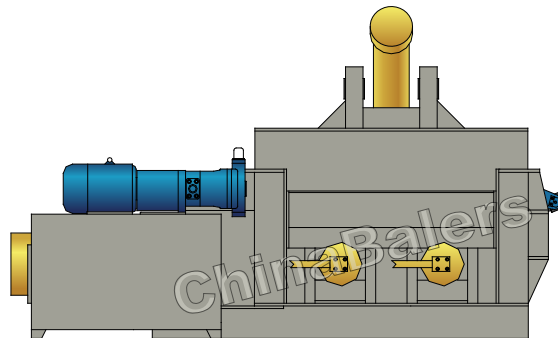
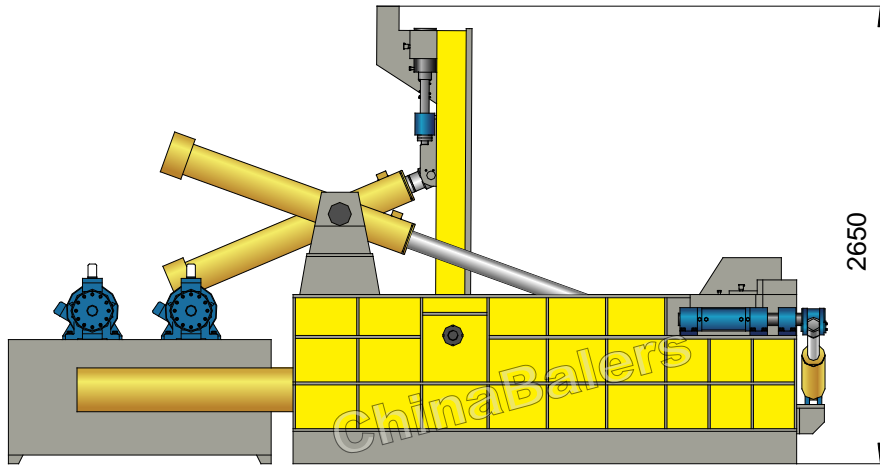


YR81F-250BSL



YR81F-250BSL



Scrap Recycling Baler

Model: YR81F-250BSL

Power System (Motor, 2 sets)

Type:	Y200L2-6
Rated Power:	22 kW (/set)
Rated Speed:	970 rpm
Power Spec:	3PH, 50 / 60Hz

Hydraulic System (Pump, 2 sets)

Type:	160YCY14-1B
Rated Displacement:	160 ml/r (/set)
Max Operating Pressure:	31.5 MPa

Standard Configuration

A3 Steel Liners, Surface Heat Treatment;
NOK (JAPAN) Seal Packings for Cylinders;
Oil Heater.

System Parameters

Lid Cyl. Force:	95 / 118 Ton
Side Pressure Cyl. Force:	2×95 / 2×118 Ton
Main Pressure Cyl. Force:	200 / 250 Ton
Bale Discharge Cyl. Force:	10 Ton
Hydraulic System Pressure:	25 / 31 MPa
Idle Cycle Time:	Approx. 100 Sec

Operation System

Manual Valve Operation

Optional Configuration

Cutting Blades & Teeth (2 sides);
#45 Steel Liners for Whole Press Box;
Diesel / Diesel Generator for Power.

General Description

Main Machine Size (L×W×H):	5200×3700×2650 mm
Press Box Size (L×W×H):	2000×1400×800 mm
Bale Size (W×H):	450×450 mm
Bale Weight (Steel):	180-350 kg
Production Rate (Steel):	3.5-6.0 tons/hr
Shipping Weight:	Approx. 19 tons
Loading (Standard Containers):	1×20'OT

Hydraulic Oil Brand

Oil Tank Volume: 2300 ltr

ISO VG	China	U.S.		Britain	France
	GB11118.1	CALTEX CO.	MOBIL	SHELL	ELF CO.
HM 46	46 #	Rando HD46	D.T.E46	Tellus 46	Elfolna 46
HM 68	68 #	Rando HD68	D.T.E68	Tellus 68	Elfolna 68

Above information are indicative not engaging. Rights reserved for change if necessary.