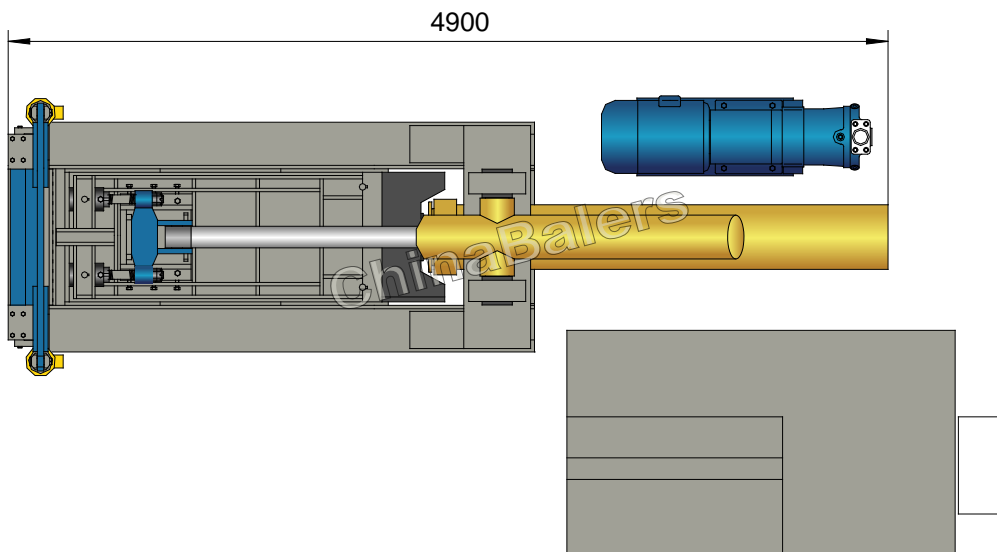
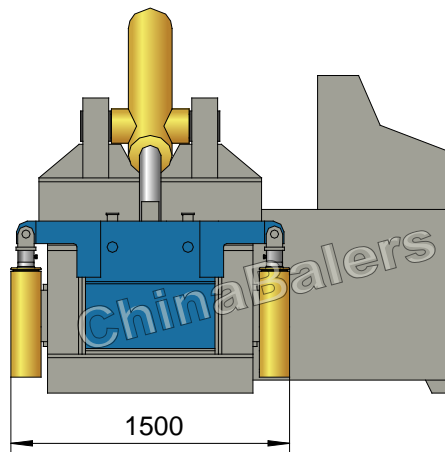
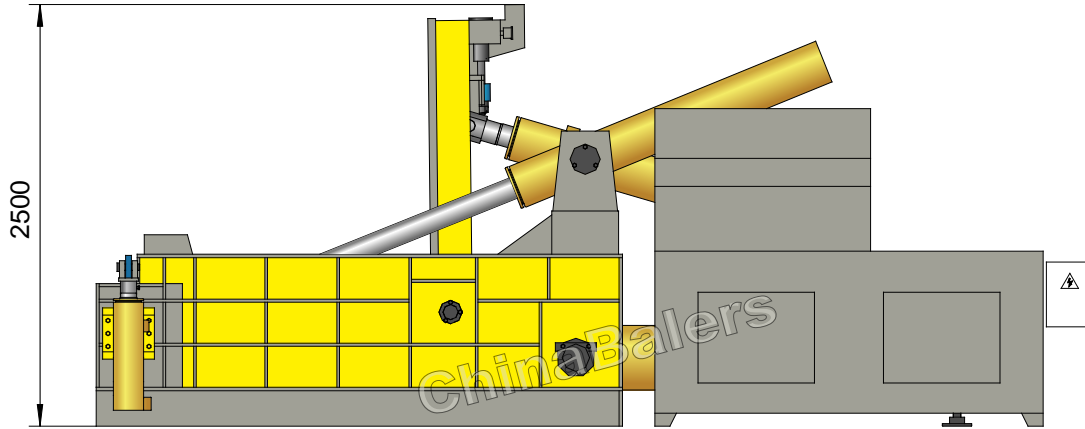


# Y81Q-80C



# Y81Q-80C



## Scrap Metal Recycling Baler

Model: Y81Q-80C

### Power System (Motor)

Type:	Y180L-6
Rated Power:	15 kW
Rated Speed:	970 rpm
Power Spec:	3PH, 50 / 60Hz

### System Parameters

Lid Cyl. Force:	50 Ton
Main Pressure Cyl. Force:	80 Ton
Front Door Cyl. Force:	2×24 Ton
Hydraulic System Pressure:	25 MPa
Idle Cycle Time:	Approx. 100 Sec

### Hydraulic System (Pump)

Type:	63YCY14-1B
Rated Displacement:	63 ml/r
Max Operating Pressure:	31.5 MPa

### Standard Configuration

A3 Steel Liners, Surface Heat Treatment.

### Operation System (Optional)

- Option 1: Manual Valve Operation
- Option 2: PLC Operation

### Optional Configuration

- Cutting Blades & Teeth (2 sides);
- Cooler / Heater;
- Diesel / Diesel Generator for Power.

### General Description

Main Machine Size (L×W×H):	4900×1500×2500 mm
Press Box Size (L×W×H):	1800×1000×700 mm
Bale Size (W×H):	1000×260 mm
Bale Weight (Steel):	40-90 kg
Production Rate (Steel):	0.8-1.8 tons/hr
Shipping Weight:	Approx. 7.2 tons
Loading (Standard Containers):	

### Hydraulic Oil Brand

Oil Tank Volume: 520 ltr

ISO VG	China	U.S.		Britain	France
	GB11118.1	CALTEX CO.	MOBIL	SHELL	ELF CO.
HM 46	46 #	Rando HD46	D.T.E46	Tellus 46	Elfolna 46
HM 68	68 #	Rando HD68	D.T.E68	Tellus 68	Elfolna 68

Above information are indicative not engaging. Rights reserved for change if necessary.