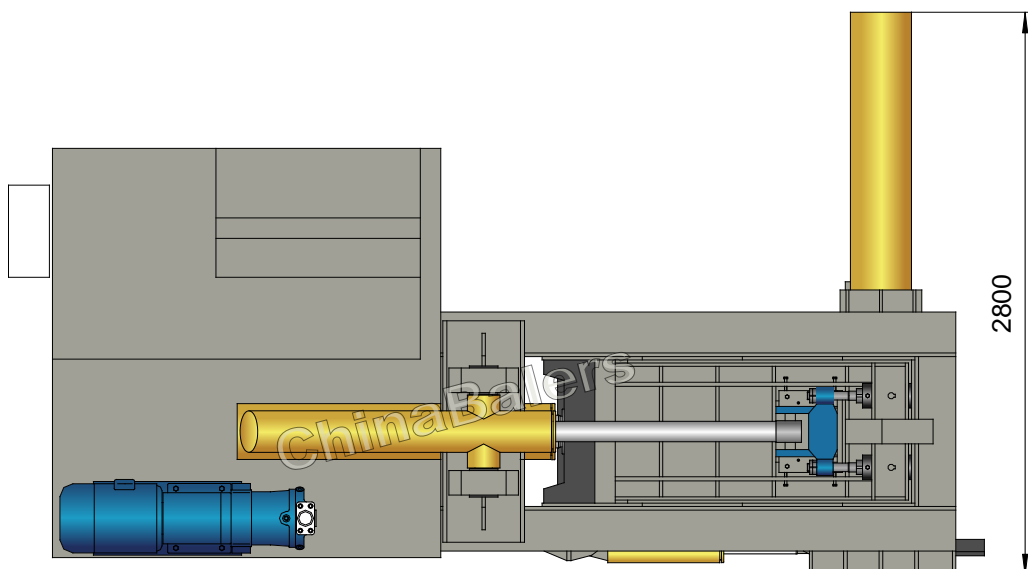
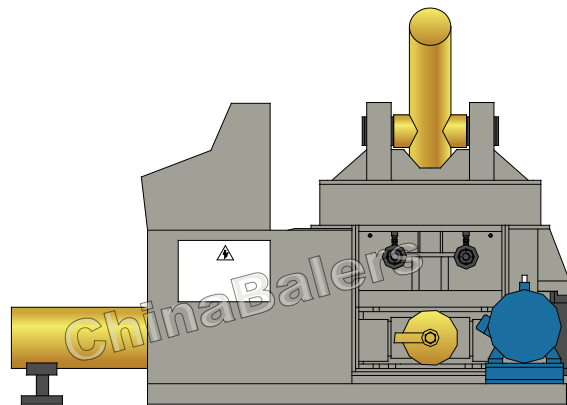
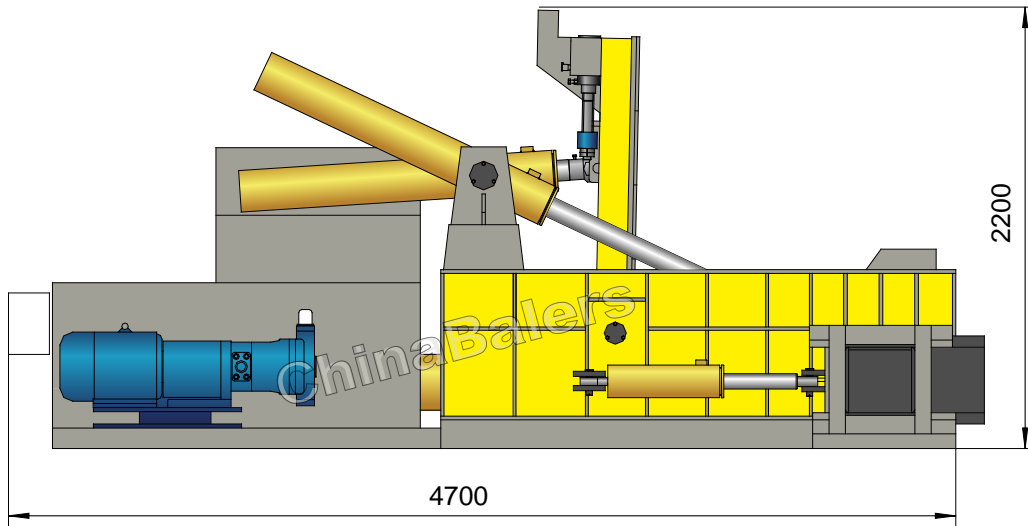


YE81T-125B



YE81T-125B



Scrap Metal Baler Machine

Model: YE81T-125B

Power System (Motor)

Type:	Y180M-4 / Y200L2-6
Rated Power:	18.5 / 22 kW
Rated Speed:	1470 / 970 rpm
Power Spec:	3PH, 50 / 60Hz

Hydraulic System (Pump)

Type:	80YCY / 160YCY
Rated Displacement:	80 / 160 ml/r
Max Operating Pressure:	31.5 MPa

Standard Configuration

#45 Steel Liners 18mm, Wholly Heat Treated;
NOK (JAPAN) Seal Packings for Cylinders;
Cooler / Heater; Magnetic Oil Filter.

System Parameters

Lid Cyl. Force:	50 Ton
Side Pressure Cyl. Force:	100 Ton
Main Pressure Cyl. Force:	125 Ton
Small Door Cyl. Force:	32 Ton
Hydraulic System Pressure:	25 MPa
Idle Cycle Time:	Approx. 100 / 80 Sec

Operation System (Optional)

Option 1: Manual Valve Operation
Option 2: PLC Operation

Optional Configuration

Cutting Blades & Teeth (2 sides); Loading Hopper;
Mn65 Steel Liners for High Pressure Chamber;
Diesel / Diesel Generator for Power.

General Description

Main Machine Size (L×W×H):	4700×2800×2200 mm
Press Box Size (L×W×H):	1400×700×700 mm
Bale Size (W×H):	300×300 mm
Bale Weight (Steel):	60-90 kg
Production Rate (Steel):	1.5-2.0 tons/hr
Shipping Weight:	Approx. 8 tons
Loading (Standard Containers):	1×20'GP

Hydraulic Oil Brand

Oil Tank Volume: 1200 ltr

ISO VG	China	U.S.		Britain	France
	GB11118.1	CALTEX CO.	MOBIL	SHELL	ELF CO.
HM 46	46 #	Rando HD46	D.T.E46	Tellus 46	Elfolna 46
HM 68	68 #	Rando HD68	D.T.E68	Tellus 68	Elfolna 68

Above information are indicative not engaging. Rights reserved for change if necessary.