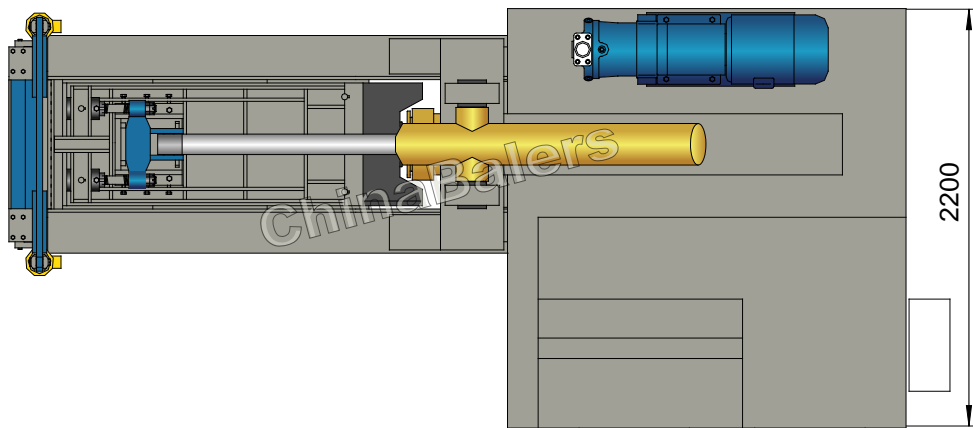
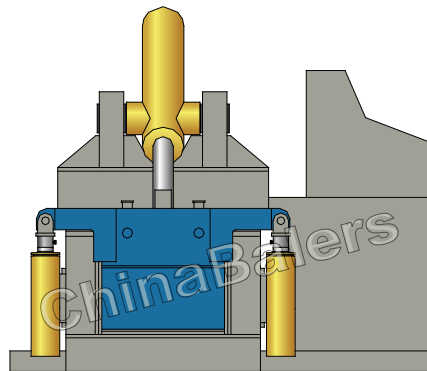
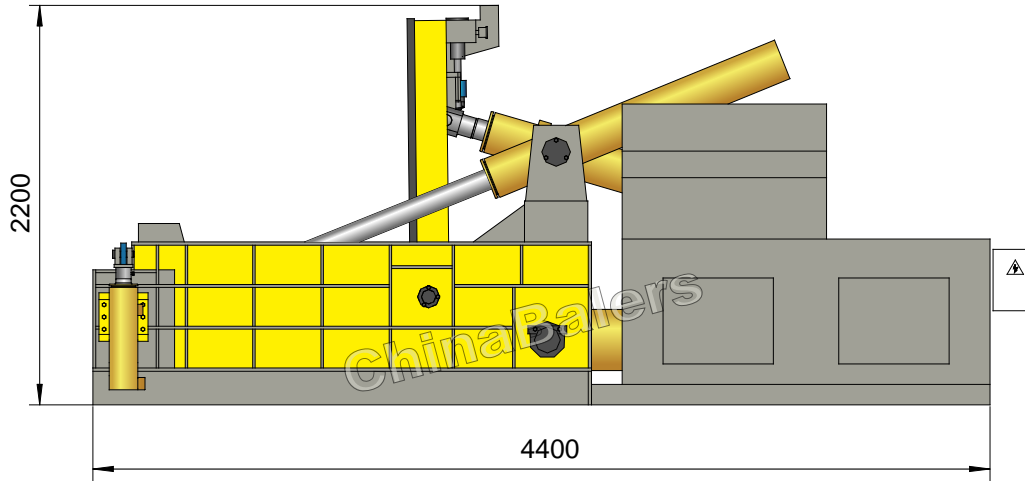
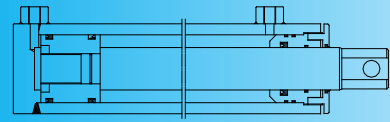


YE81Q-135D



YE81Q-135D



Scrap Baling Equipment

Model: YE81Q-135D

Power System (Motor)

| | |
|--------------|----------------|
| Type: | Y200L2-6 |
| Rated Power: | 22 kW |
| Rated Speed: | 970 rpm |
| Power Spec: | 3PH, 50 / 60Hz |

System Parameters

| | |
|----------------------------|----------------|
| Lid Cyl. Force: | 50 Ton |
| Main Pressure Cyl. Force: | 135 Ton |
| Front Door Cyl. Force: | 2×24 Ton |
| Hydraulic System Pressure: | 25 MPa |
| Idle Cycle Time: | Approx. 70 Sec |

Hydraulic System (Pump)

| | |
|-------------------------|-------------|
| Type: | 160YCY14-1B |
| Rated Displacement: | 160 ml/r |
| Max Operating Pressure: | 31.5 MPa |

Operation System (Optional)

- Option 1: Manual Valve Operation
- Option 2: PLC Operation

Standard Configuration

#45 Steel Liners 18mm, Wholly Heat Treated;
NOK (JAPAN) Seal Packings for Cylinders;
Cooler / Heater; Magnetic Oil Filter.

Optional Configuration

Cutting Blades & Teeth (2 sides);
Mn65 Steel Liners for Whole Press Box;
Diesel / Diesel Generator for Power.

General Description

| | |
|--------------------------------|-------------------|
| Main Machine Size (L×W×H): | 4400×2200×2200 mm |
| Press Box Size (L×W×H): | 1300×600×800 mm |
| Bale Size (W×H): | 600×400 mm |
| Bale Weight (Steel): | 50-75 kg |
| Production Rate (Steel): | 1.5-2.0 tons/hr |
| Shipping Weight: | Approx. 7.2 tons |
| Loading (Standard Containers): | 1×20'GP |

Hydraulic Oil Brand

Oil Tank Volume: 1200 ltr

| ISO VG | China | U.S. | | Britain | France |
|--------|-----------|------------|---------|-----------|------------|
| | GB11118.1 | CALTEX CO. | MOBIL | SHELL | ELF CO. |
| HM 46 | 46 # | Rando HD46 | D.T.E46 | Tellus 46 | Elfolna 46 |
| HM 68 | 68 # | Rando HD68 | D.T.E68 | Tellus 68 | Elfolna 68 |

Above information are indicative not engaging. Rights reserved for change if necessary.