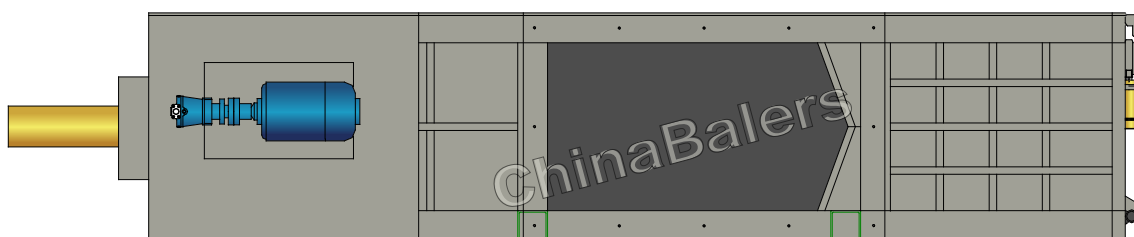
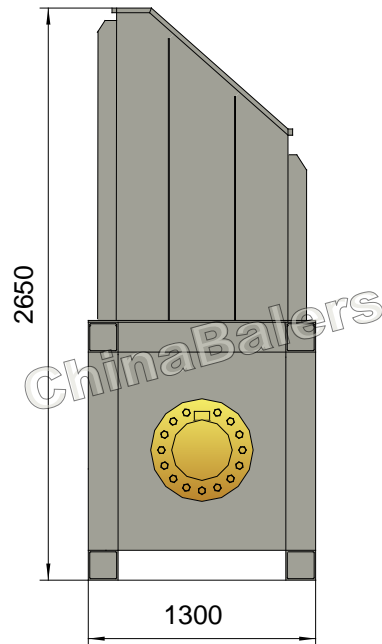
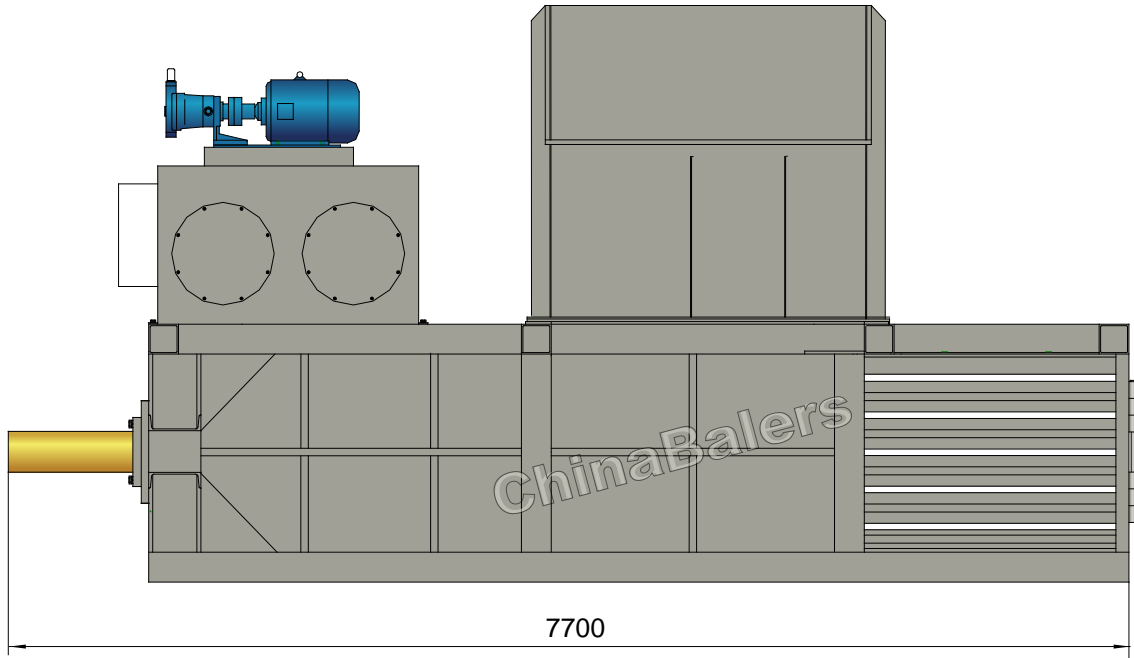


# HPM63A



# HPM63A



## Plastic Bottle Press Machine

Model: HPM63A

### Power System (Main Motor)

Type: Y200L2-6  
 Rated Power: 22 kW  
 Rated Speed: 970 rpm  
 Power Spec: 3PH, 50 / 60Hz

### System Parameters

Main Pressure Cyl. Force: 63 Ton  
 Locking Cyl. Force: 23.5 Ton  
 Open-door Cyl. Force: 12.5 Ton  
 Hydraulic System Pressure: 25 MPa

### Hydraulic System (Pump, 2 sets)

Pump #1: 160YCY14-1B  
 Rated Displacement: 160 ml/r  
 Max Operating Pressure: 31.5 MPa

Pump #2: 25YCY14-1B  
 Rated Displacement: 25 ml/r  
 Max Operating Pressure: 31.5 MPa

### Standard Configuration

V-shaped Cutting Blades; Oil Cooler;  
 Conveyor Width 1200mm, Powered by 5.5kW Motor;  
 Discharging Roll Powered by 0.75kW Motor.

### Optional Configuration

NOK (JAPAN) Seal Packings for Cylinders;  
 Oil Heater; Magnetic Oil Filter;  
 Diesel / Diesel Generator for Power.

### Operation System

PLC Operation

### General Description

Main Machine Size (L×W×H): 7700×1300×2650 mm  
 Feeding Opening (L×W): 1400×800 mm  
 Bale Size (W×H): 800×800 mm  
 Bale Weight (PET Bottle): 270-320 kg  
 Production Rate (PET Bottle): 0.9-1.1 tons/hr  
 Strapping: Tempered Iron Wire,  $\phi$ 2.8/3.2mm, 4 Lines, Manual Strapping.  
 Shipping Weight: Approx. 9 + 6 tons  
 Loading (Standard Containers): 2×40'GP

### Hydraulic Oil Brand

Oil Tank Volume: 1200 ltr

ISO VG	China	U.S.		Britain	France
	GB11118.1	CALTEX CO.	MOBIL	SHELL	ELF CO.
HM 46	46 #	Rando HD46	D.T.E46	Tellus 46	Elfolna 46
HM 68	68 #	Rando HD68	D.T.E68	Tellus 68	Elfolna 68

Above information are indicative not engaging. Rights reserved for change if necessary.