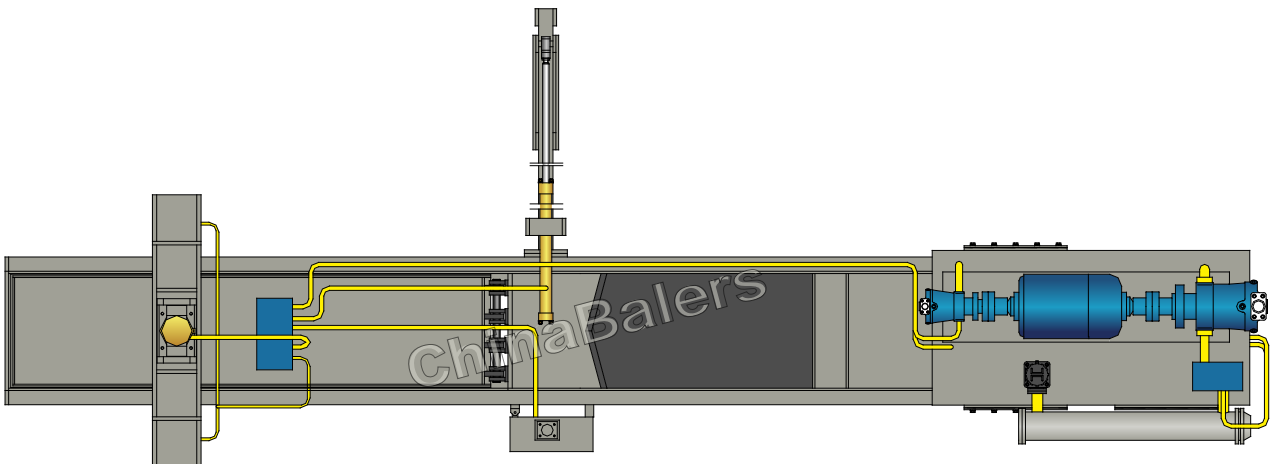
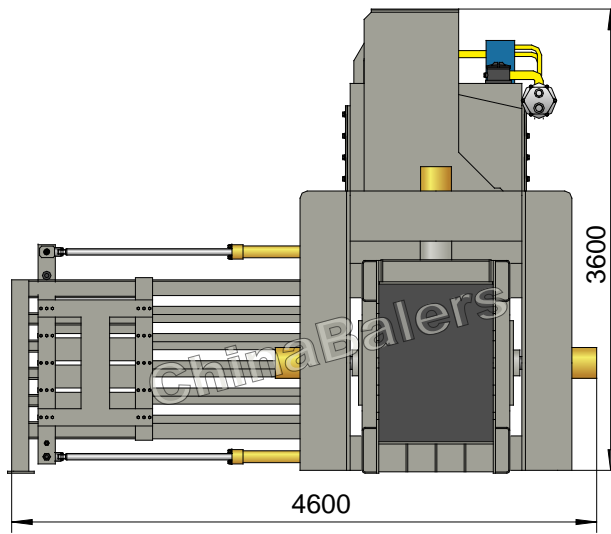
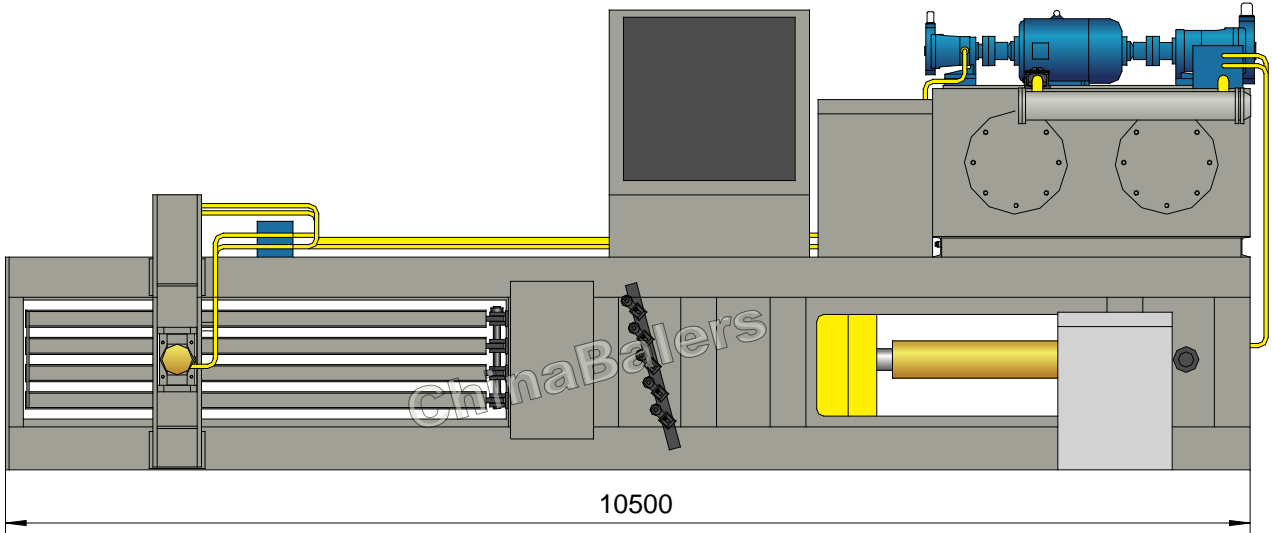


# HPA100A



# HPA100A



## Plastic Bottle Baler

Model: HPA100A

### Power System (Motor, 2 sets)

Motor #1: Y280M-6  
 Rated Power: 55 kW  
 Rated Speed: 980 rpm

Motor #2: Y160L-4  
 Rated Power: 15 kW  
 Rated Speed: 1460 rpm

### Operation System

Mitsubishi / Siemens PLC & Touch Screen.

### Standard Configuration

NOK (JAPAN) Seal Packings for Cylinders;  
 V-shaped Cutting Blades; Wire Frame; Oil Cooler;  
 Conveyor Width 1400mm, Powered by  
 Pump #4 & a Hydraulic Motor.

### Optional Configuration

Oil Heater; Magnetic Oil Filter;  
 Siemens PLC S7-300 for Long Distance Data Transmission;  
 Rexroth Pumps; Siemens Electrical Elements;  
 Diesel / Diesel Generator for Power.

### General Description

Main Machine Size (L×W×H): 10500×4600×3600 mm  
 Feeding Opening (L×W): 1600×1000 mm  
 Bale Size (W×H): 1000×1100 mm  
 Bale Weight (PET Bottle): 520-700 kg  
 Production Rate (PET Bottle): 2.3-3.1 tons/hr  
 Strapping: Tempered Iron Wire,  $\phi$ 2.8/3.2mm, 5 Lines, Automatic Strapping.  
 Shipping Weight: Approx. 22 + 6.5 tons  
 Loading (Standard Containers): 2×40'GP

### Hydraulic Oil Brand

Oil Tank Volume: 3100 ltr

ISO VG	China	U.S.		Britain	France
	GB11118.1	CALTEX CO.	MOBIL	SHELL	ELF CO.
HM 46	46 #	Rando HD46	D.T.E46	Tellus 46	Elfolna 46
HM 68	68 #	Rando HD68	D.T.E68	Tellus 68	Elfolna 68

### Hydraulic System (Pump, 4 sets)

Pump #1: 250YCY14-1B  
 Rated Displacement: 250 ml/r  
 Max Operating Pressure: 31.5 MPa

Pump #2: 80YCY14-1B  
 Rated Displacement: 80 ml/r  
 Max Operating Pressure: 31.5 MPa

Pump #3: 40YCY14-1B  
 Rated Displacement: 40 ml/r  
 Max Operating Pressure: 31.5 MPa

Pump #4: 25SCY14-1B  
 Rated Displacement: 25 ml/r  
 Max Operating Pressure: 31.5 MPa

### System Parameters

Main Pressure Cyl. Force: 100 Ton  
 Necking Cyl. Force: 3×80 Ton  
 Wire Pushing Cyl. Force: 8 Ton  
 Wire Cutting Cyl. Force: 8 Ton  
 Hydraulic System Pressure: 25 MPa

Above information are indicative not engaging. Rights reserved for change if necessary.