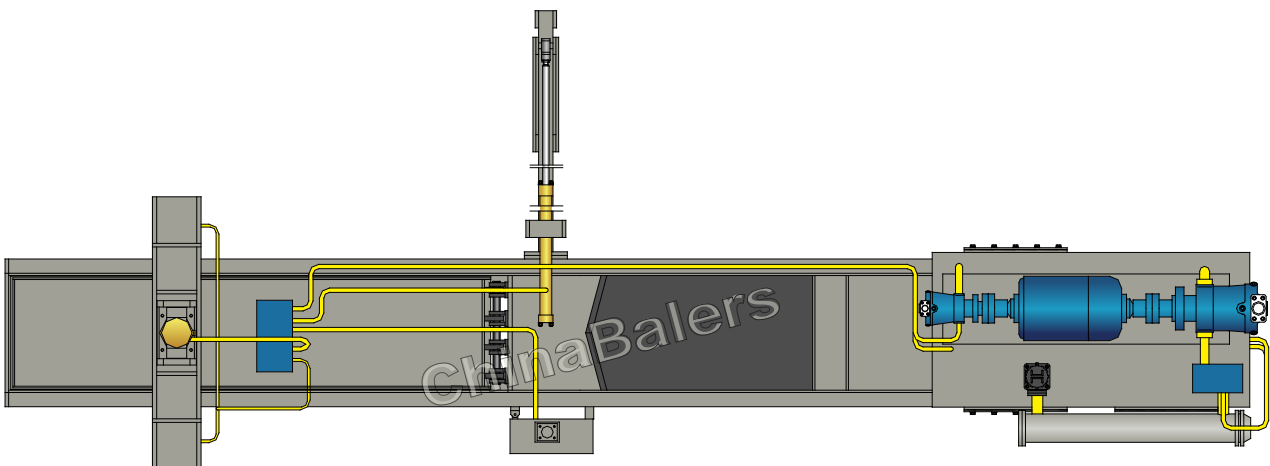
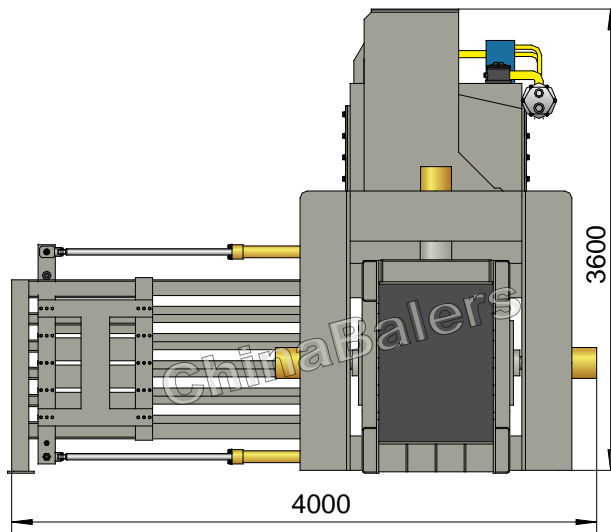
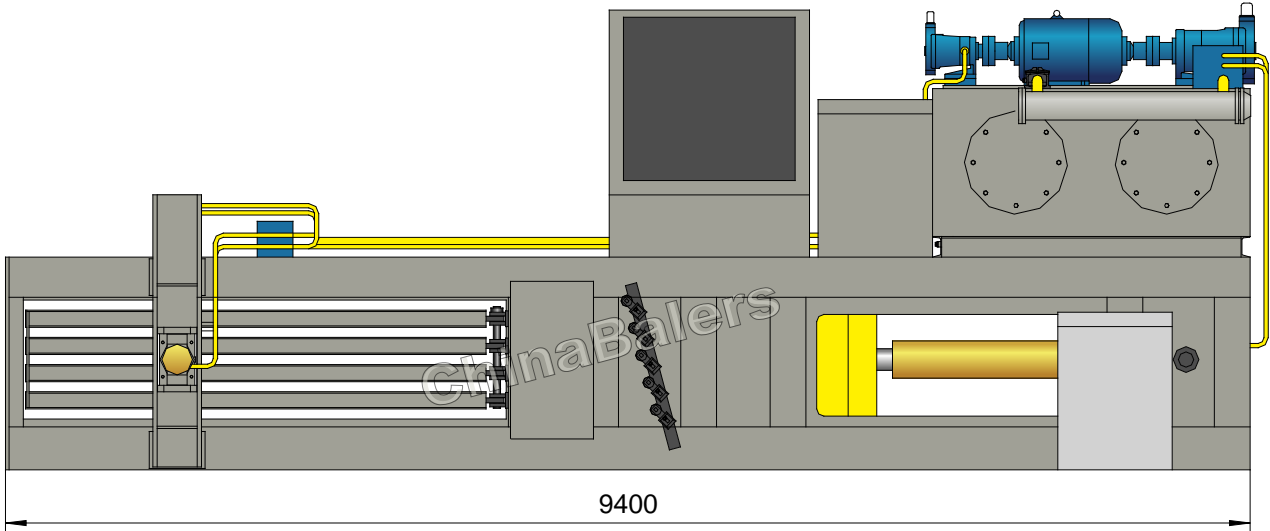


HPA80A



HPA80A



Plastic Baler Machine

Model: HPA80A

Power System (Main Motor)

Type:	Y280S-6
Rated Power:	45 kW
Rated Speed:	980 rpm
Power Spec:	3PH, 50 / 60Hz

System Parameters

Main Pressure Cyl. Force:	80 Ton
Necking Cyl. Force:	3×50 Ton
Wire Pushing Cyl. Force:	8 Ton
Wire Cutting Cyl. Force:	8 Ton
Hydraulic System Pressure:	25 MPa

Hydraulic System (Pump, 2 sets)

Pump #1:	250YCY14-1B
Rated Displacement:	250 ml/r
Max Operating Pressure:	31.5 MPa
Pump #2:	40YCY14-1B
Rated Displacement:	40 ml/r
Max Operating Pressure:	31.5 MPa

Standard Configuration

NOK (JAPAN) Seal Packings for Cylinders;
V-shaped Cutting Blades; Wire Frame; Oil Cooler;
Conveyor Width 1400mm, Powered by 7.5kW Motor.

Operation System

Mitsubishi / Siemens PLC & Touch Screen.

Optional Configuration

Oil Heater; Magnetic Oil Filter;
Siemens PLC S7-300 for Long Distance Data Transmission;
Rexroth Pumps; Siemens Electrical Elements;
Diesel / Diesel Generator for Power.

General Description

Main Machine Size (L×W×H):	9400×4000×3600 mm
Feeding Opening (L×W):	1600×720 mm
Bale Size (W×H):	720×1100 mm
Bale Weight (PET Bottle):	380-450 kg
Production Rate (PET Bottle):	1.7-2.0 tons/hr
Strapping:	Tempered Iron Wire, ϕ 2.8/3.2mm, 5 Lines, Automatic Strapping.
Shipping Weight:	Approx. 21 + 6.5 tons
Loading (Standard Containers):	2×40'GP

Hydraulic Oil Brand

Oil Tank Volume: 2100 ltr

ISO VG	China	U.S.		Britain	France
	GB11118.1	CALTEX CO.	MOBIL	SHELL	ELF CO.
HM 46	46 #	Rando HD46	D.T.E46	Tellus 46	Elfolna 46
HM 68	68 #	Rando HD68	D.T.E68	Tellus 68	Elfolna 68

Above information are indicative not engaging. Rights reserved for change if necessary.