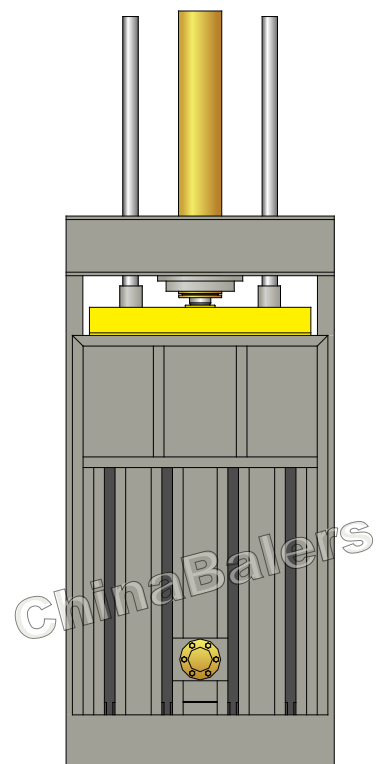
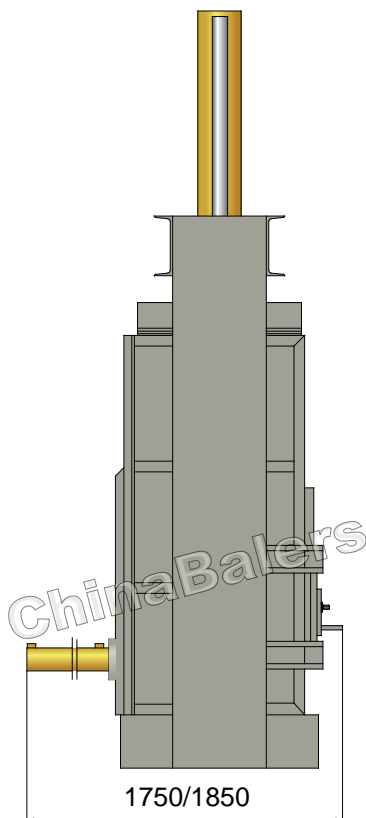
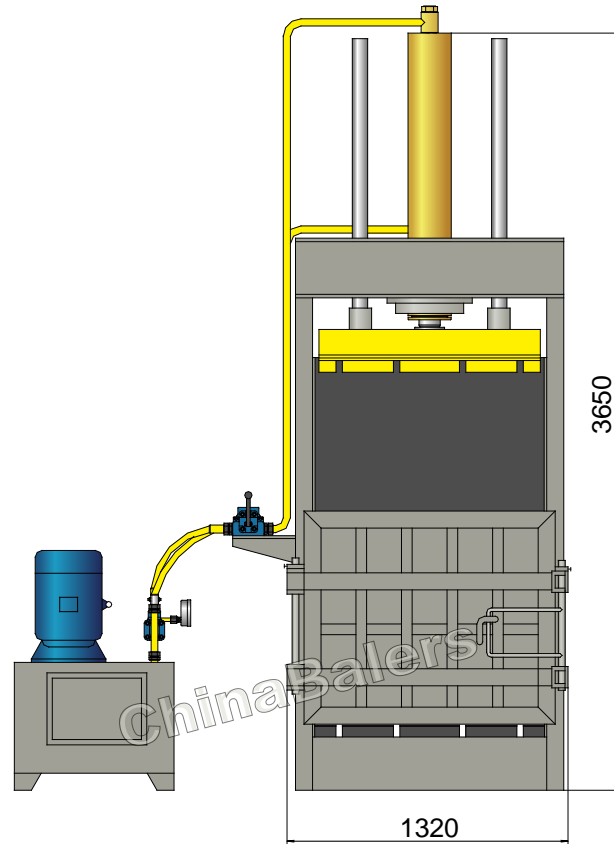


# Y82T-35F



# Y82T-35F



## Paper Press Machine

Model: Y82T-35F

### Power System (Motor)

Type:	Y180L-6
Rated Power:	15 kW
Rated Speed:	970 rpm
Power Spec:	3PH, 50 / 60Hz

### System Parameters

Main Pressure Cyl. Force:	35 Ton
Ejection Cyl. Force:	7 Ton
Hydraulic System Pressure:	14 MPa

### Hydraulic System (Pump)

Type:	63YCY14-1B
Rated Displacement:	63 ml/r
Max Operating Pressure:	31.5 MPa

### Standard Configuration

NOK (JAPAN) Seal Packings for Cylinders.

### Operation System

Manual Valve Operation

## General Description

Main Machine Size (L×W×H):	1550×1750/1850×3650 mm
Press Box Size (L×W×H):	1100×700/800×1500 mm
Space Between Ram & Bottom:	Max. 1500 mm; Min. 300 mm
Bale Size (L×W):	1100×700/800 mm
Bale Weight (Paper, Cardboard):	200-250 kg
Production Rate (Paper, Cardboard):	600-800 kg/hr
Strapping:	Tempered Iron Wire, $\phi$ 2.8/3.2mm, 4 Lines, Manual Strapping.
Bale Discharging:	By Ejection Cylinder
Shipping Weight:	Approx. 2.5 / 2.7 tons
Loading (Standard Containers):	1/2×20'GP

### Hydraulic Oil Brand

Oil Tank Volume:

320 ltr

ISO VG	China	U.S.		Britain	France
	GB11118.1	CALTEX CO.	MOBIL	SHELL	ELF CO.
HM 46	46 #	Rando HD46	D.T.E46	Tellus 46	Elfolna 46
HM 68	68 #	Rando HD68	D.T.E68	Tellus 68	Elfolna 68

Above information are indicative not engaging. Rights reserved for change if necessary.