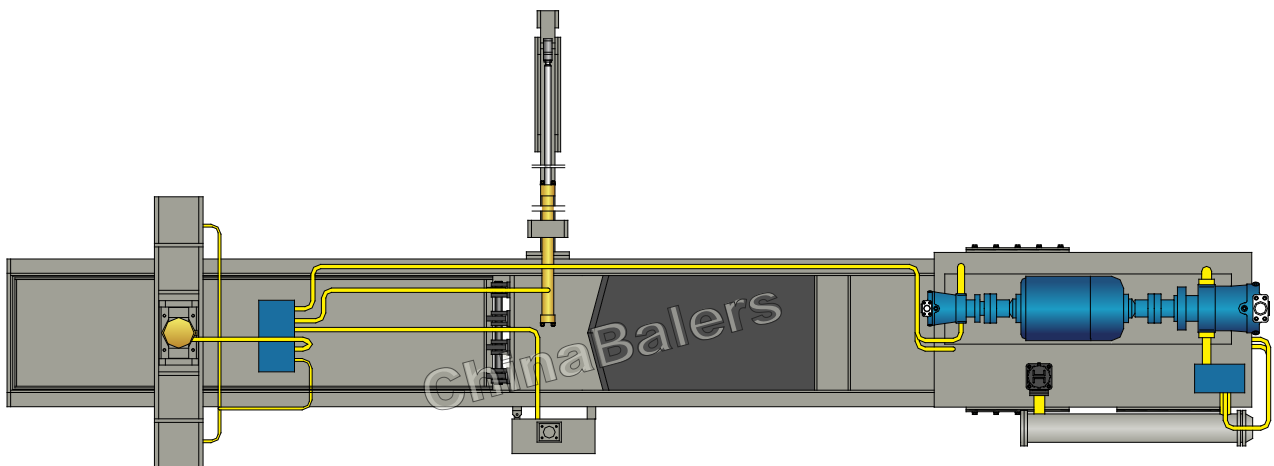
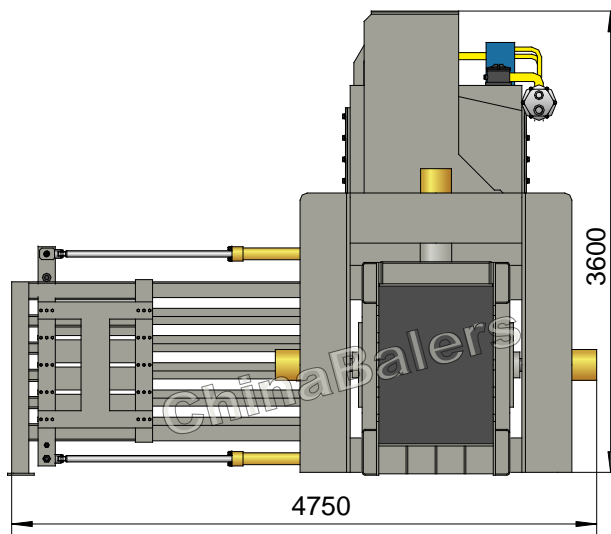
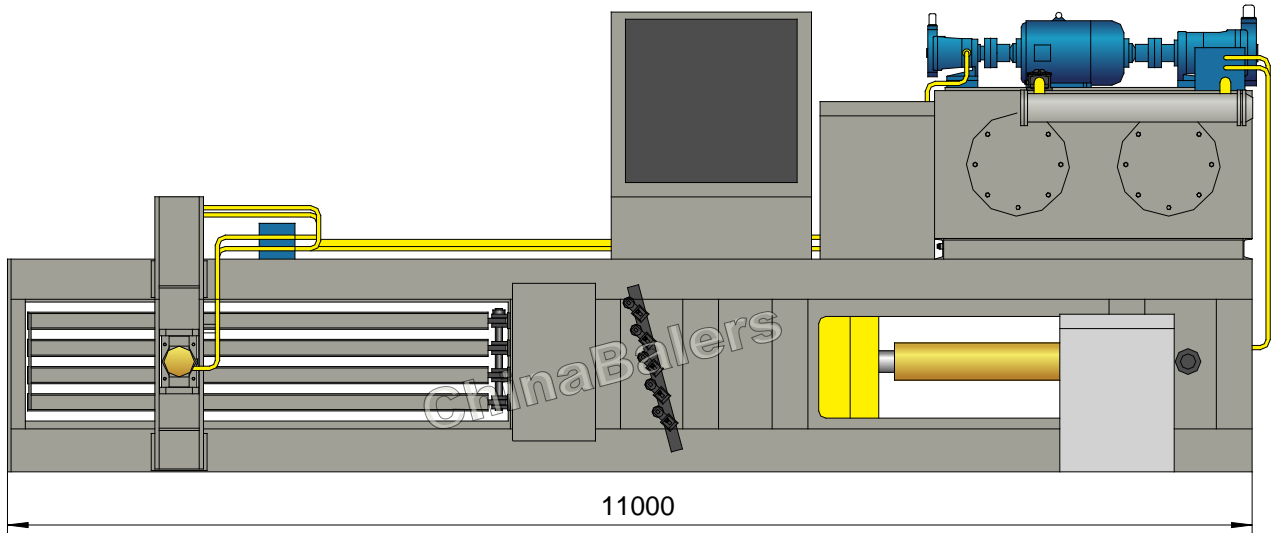
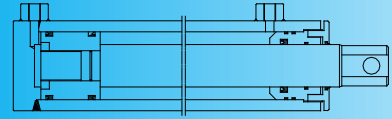
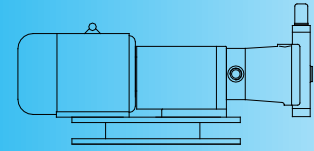


# HPA125A



# HPA125A



## Paper Compactor

Model: HPA125A

### Power System (Main Motor, 2 sets)

Type: Y225S-4  
Rated Power: 37 kW (/set)  
Rated Speed: 1480 rpm  
Power Spec: 3PH, 50 / 60Hz

### System Parameters

Main Pressure Cyl. Force: 125 Ton  
Necking Cyl. Force: 3×80 Ton  
Wire Pushing Cyl. Force: 8 Ton  
Wire Cutting Cyl. Force: 8 Ton  
Hydraulic System Pressure: 25 MPa

### Hydraulic System (Pump, 3 sets)

Pump #1, #2: 160YCY14-1B  
Rated Displacement: 160 ml/r (/set)  
Max Operating Pressure: 31.5 MPa

Pump #3: 40YCY14-1B  
Rated Displacement: 40 ml/r  
Max Operating Pressure: 31.5 MPa

### Standard Configuration

NOK (JAPAN) Seal Packings for Cylinders;  
V-shaped Cutting Blades; Wire Frame; Oil Cooler;  
Conveyor Width 1600mm, Powered by 7.5kW Motor.

### Operation System

Mitsubishi / Siemens PLC & Touch Screen.

### Optional Configuration

Oil Heater; Magnetic Oil Filter;  
Siemens PLC S7-300 for Long Distance Data Transmission;  
Rexroth Pumps; Siemens Electrical Elements;  
Diesel / Diesel Generator for Power.

### General Description

Main Machine Size (L×W×H): 11000×4750×3600 mm  
Feeding Opening (L×W): 2200×1100 mm  
Bale Size (W×H): 1100×1100 mm  
Bale Weight (Paper, Cardboard): 720-1150 kg  
Production Rate (Paper, Cardboard): 7.2-10.2 tons/hr  
Strapping: Tempered Iron Wire,  $\phi$ 3.2/3.6mm, 5 Lines, Automatic Strapping.  
Shipping Weight: Approx. 23.5 + 7 tons  
Loading (Standard Containers): 2×40'GP

### Hydraulic Oil Brand

Oil Tank Volume: 2600 ltr

ISO VG	China	U.S.		Britain	France
	GB11118.1	CALTEX CO.	MOBIL	SHELL	ELF CO.
HM 46	46 #	Rando HD46	D.T.E46	Tellus 46	Elfolna 46
HM 68	68 #	Rando HD68	D.T.E68	Tellus 68	Elfolna 68

Above information are indicative not engaging. Rights reserved for change if necessary.