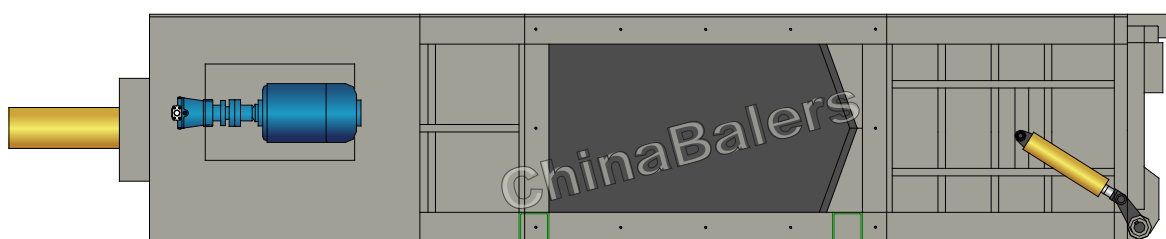
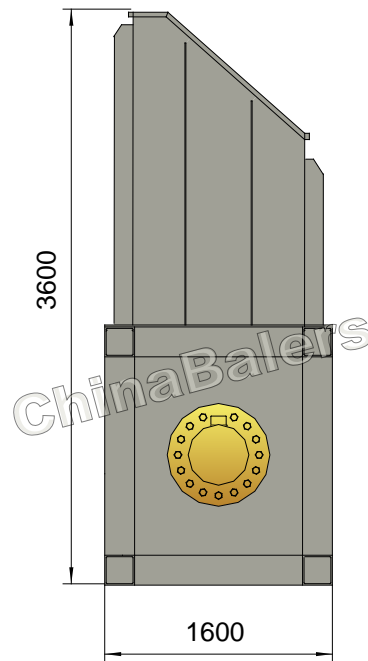
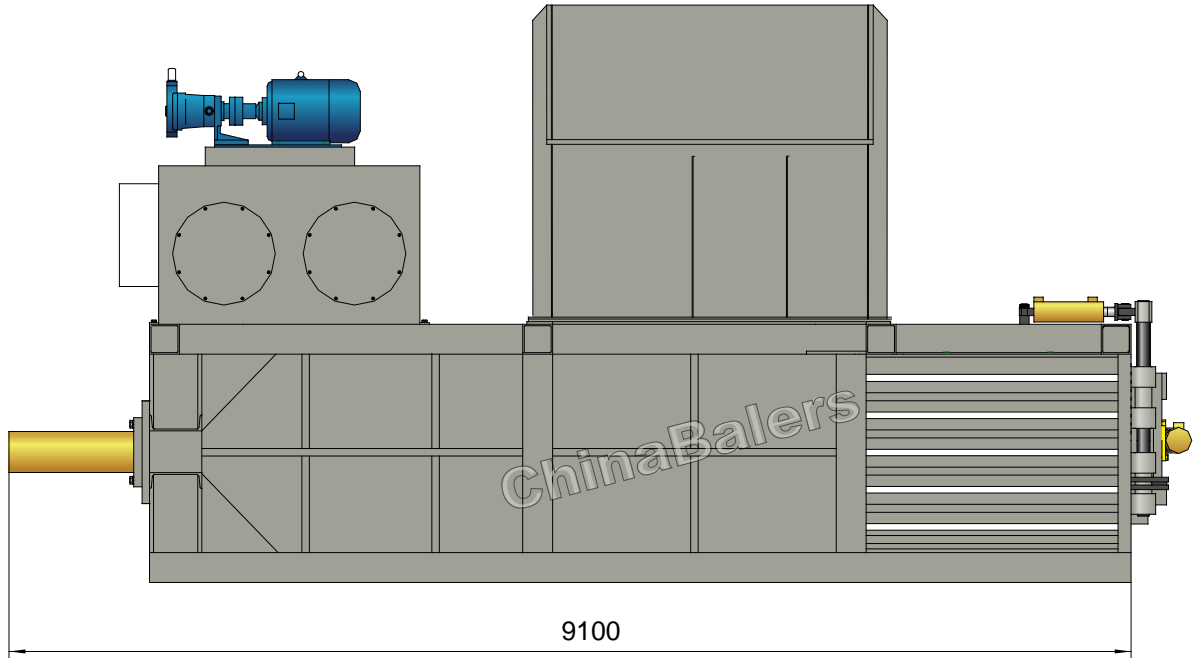
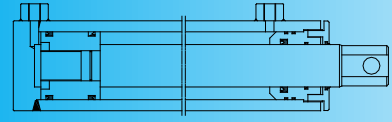


HPM100A



HPM100A



Paper Baling Machine

Model: HPM100A

Power System (Main Motor)

Type:	Y225M-6
Rated Power:	30 kW
Rated Speed:	980 rpm
Power Spec:	3PH, 50 / 60Hz

System Parameters

Main Pressure Cyl. Force:	100 Ton
Locking Cyl. Force:	23.5 Ton
Open-door Cyl. Force:	12.5 Ton
Hydraulic System Pressure:	25 MPa

Hydraulic System (Pump, 2 sets)

Pump #1:	160YCY14-1B
Rated Displacement:	160 ml/r
Max Operating Pressure:	31.5 MPa

Pump #2:	25YCY14-1B
Rated Displacement:	25 ml/r
Max Operating Pressure:	31.5 MPa

Standard Configuration

V-shaped Cutting Blades; Oil Cooler;
Conveyor Width 1400mm, Powered by 7.5kW Motor;
Discharging Roll Powered by 0.75kW Motor.

Optional Configuration

NOK (JAPAN) Seal Packings for Cylinders;
Oil Heater; Magnetic Oil Filter;
Diesel / Diesel Generator for Power.

Operation System

PLC Operation

General Description

Main Machine Size (L×W×H):	9100×1600×3600 mm
Feeding Opening (L×W):	2000×900 mm
Bale Size (W×H):	900×900 mm
Bale Weight (Paper, Cardboard):	450-600 kg
Production Rate (Paper, Cardboard):	2.7-3.6 tons/hr
Strapping:	Tempered Iron Wire, ϕ 2.8/3.2mm, 4 Lines, Manual Strapping.
Shipping Weight:	Approx. 12.5 + 6.5 tons
Loading (Standard Containers):	2×40'GP

Hydraulic Oil Brand

Oil Tank Volume: 1500 ltr

ISO VG	China	U.S.		Britain	France
	GB11118.1	CALTEX CO.	MOBIL	SHELL	ELF CO.
HM 46	46 #	Rando HD46	D.T.E46	Tellus 46	Elfolna 46
HM 68	68 #	Rando HD68	D.T.E68	Tellus 68	Elfolna 68

Above information are indicative not engaging. Rights reserved for change if necessary.