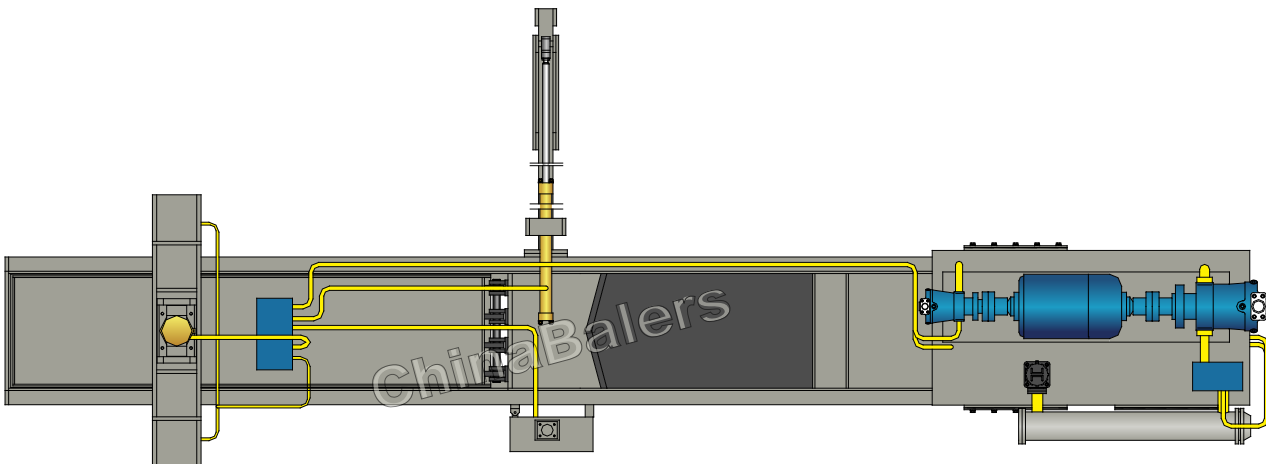
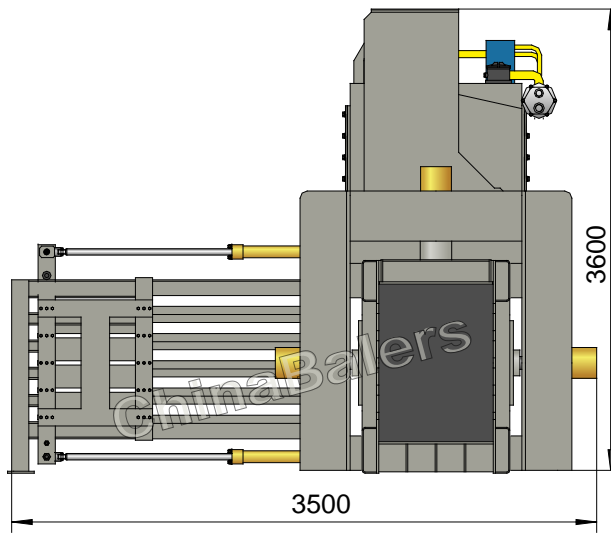
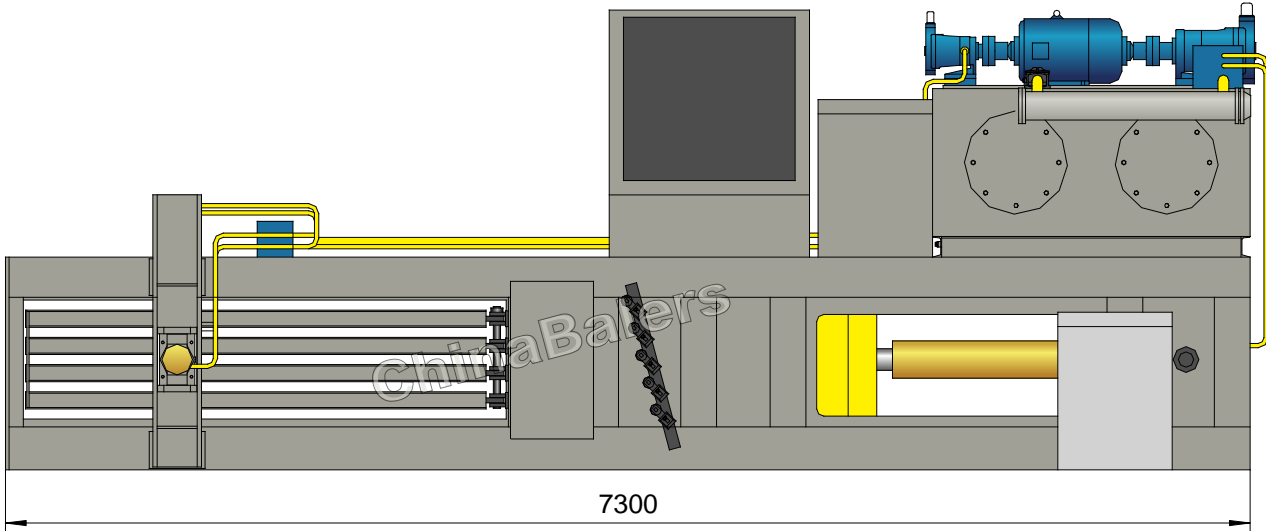


HPA63



HPA63



Paper Bale Machine

Model: HPA63

Power System (Main Motor)

Type:	Y225S-4
Rated Power:	37 kW
Rated Speed:	1480 rpm
Power Spec:	3PH, 50 / 60Hz

System Parameters

Main Pressure Cyl. Force:	63 Ton
Necking Cyl. Force:	3×30 Ton
Wire Pushing Cyl. Force:	8 Ton
Wire Cutting Cyl. Force:	8 Ton
Hydraulic System Pressure:	25 MPa

Hydraulic System (Pump, 2 sets)

Pump #1:	160YCY14-1B
Rated Displacement:	160 ml/r
Max Operating Pressure:	31.5 MPa

Pump #2:	25YCY14-1B
Rated Displacement:	25 ml/r
Max Operating Pressure:	31.5 MPa

Standard Configuration

NOK (JAPAN) Seal Packings for Cylinders;
V-shaped Cutting Blades; Wire Frame; Oil Cooler;
Conveyor Width 1400mm, Powered by 5.5kW Motor.

Operation System

Mitsubishi / Siemens PLC & Touch Screen.

Optional Configuration

Oil Heater; Magnetic Oil Filter;
Siemens PLC S7-300 for Long Distance Data Transmission;
Rexroth Pumps; Siemens Electrical Elements;
Diesel / Diesel Generator for Power.

General Description

Main Machine Size (L×W×H):	7300×3500×3600 mm
Feeding Opening (L×W):	1600×700 mm
Bale Size (W×H):	700×700 mm
Bale Weight (Paper, Cardboard):	230-310 kg
Production Rate (Paper, Cardboard):	2.1-2.8 tons/hr
Strapping:	Tempered Iron Wire, ϕ 2.8/3.2mm, 4 Lines, Automatic Strapping.
Shipping Weight:	Approx. 13 + 6.5 tons
Loading (Standard Containers):	2×40'GP

Hydraulic Oil Brand

Oil Tank Volume: 1400 ltr

ISO VG	China	U.S.		Britain	France
	GB11118.1	CALTEX CO.	MOBIL	SHELL	ELF CO.
HM 46	46 #	Rando HD46	D.T.E46	Tellus 46	Elfolna 46
HM 68	68 #	Rando HD68	D.T.E68	Tellus 68	Elfolna 68

Above information are indicative not engaging. Rights reserved for change if necessary.