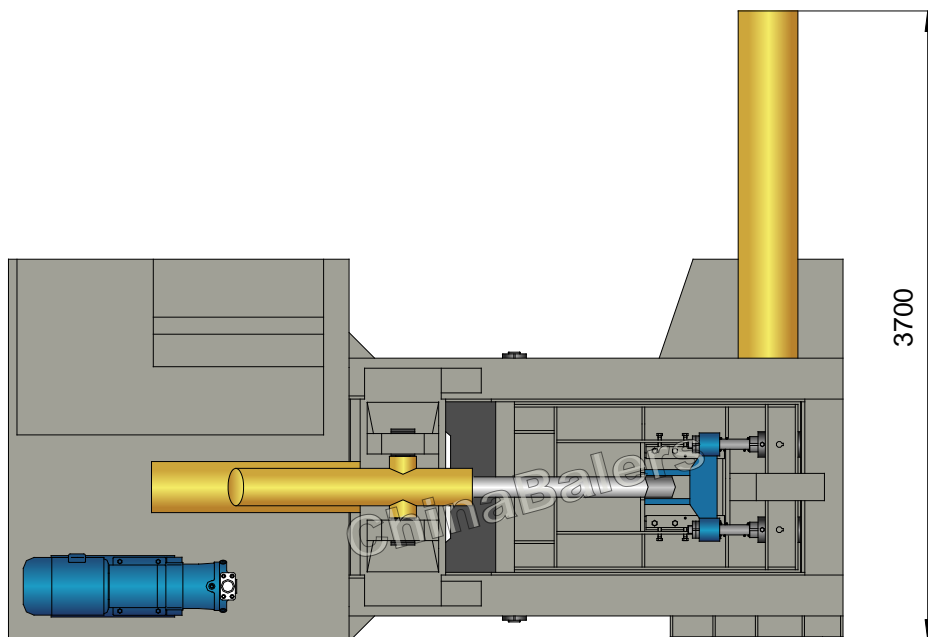
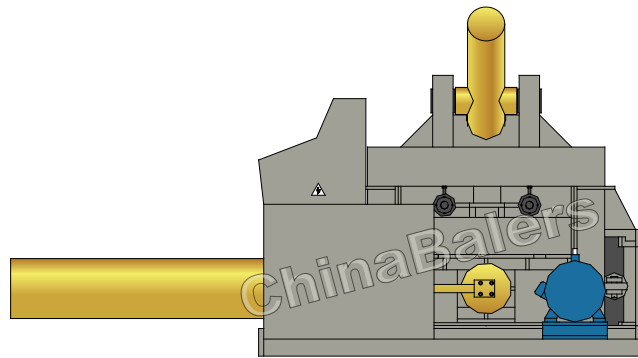
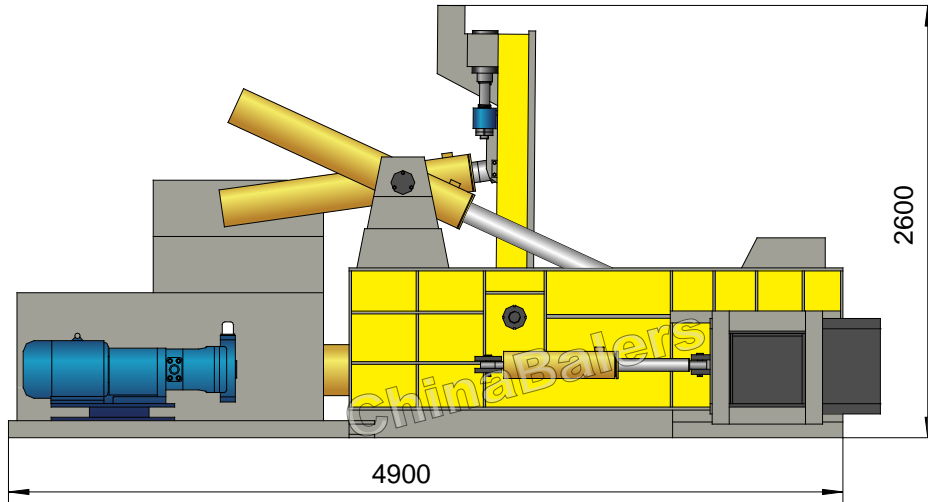


# YE81T-160A



# YE81T-160A



## Non Ferrous Metal Baler

Model: YE81T-160A

### Power System (Motor)

Type:	Y200L2-6
Rated Power:	22 kW
Rated Speed:	970 rpm
Power Spec:	3PH, 50 / 60Hz

### Hydraulic System (Pump)

Type:	160YCY14-1B
Rated Displacement:	160 ml/r
Max Operating Pressure:	31.5 MPa

### Standard Configuration

#45 Steel Liners 20mm, Wholly Heat Treated;  
NOK (JAPAN) Seal Packings for Cylinders;  
Cooler / Heater; Magnetic Oil Filter.

### System Parameters

Lid Cyl. Force:	63 Ton
Side Pressure Cyl. Force:	125 Ton
Main Pressure Cyl. Force:	160 Ton
Small Door Cyl. Force:	32 Ton
Hydraulic System Pressure:	25 MPa
Idle Cycle Time:	Approx. 110 Sec

### Operation System (Optional)

Option 1: Manual Valve Operation  
Option 2: PLC Operation

### Optional Configuration

Cutting Blades & Teeth (2 sides); Loading Hopper;  
Mn65 Steel Liners for High Pressure Chamber;  
Diesel / Diesel Generator for Power.

### General Description

Main Machine Size (L×W×H):	4900×3700×2600 mm
Press Box Size (L×W×H):	1600×1000×800 mm
Bale Size (W×H):	350×350 / 400×400 mm
Bale Weight:	Alu 35-60, SS 100-180, Copper 110-200 kg
Production Rate:	Alu 0.7-1.2, SS 2.0-3.5, Copper 2.2-3.8 tons/hr
Shipping Weight:	Approx. 12 tons
Loading (Standard Containers):	1×20'GP (Without Hopper)

### Hydraulic Oil Brand

Oil Tank Volume: 1600 ltr

ISO VG	China	U.S.		Britain	France
		GB11118.1	CALTEX CO.	MOBIL	SHELL
HM 46	46 #	Rando HD46	D.T.E46	Tellus 46	Elfolna 46
HM 68	68 #	Rando HD68	D.T.E68	Tellus 68	Elfolna 68

Above information are indicative not engaging. Rights reserved for change if necessary.