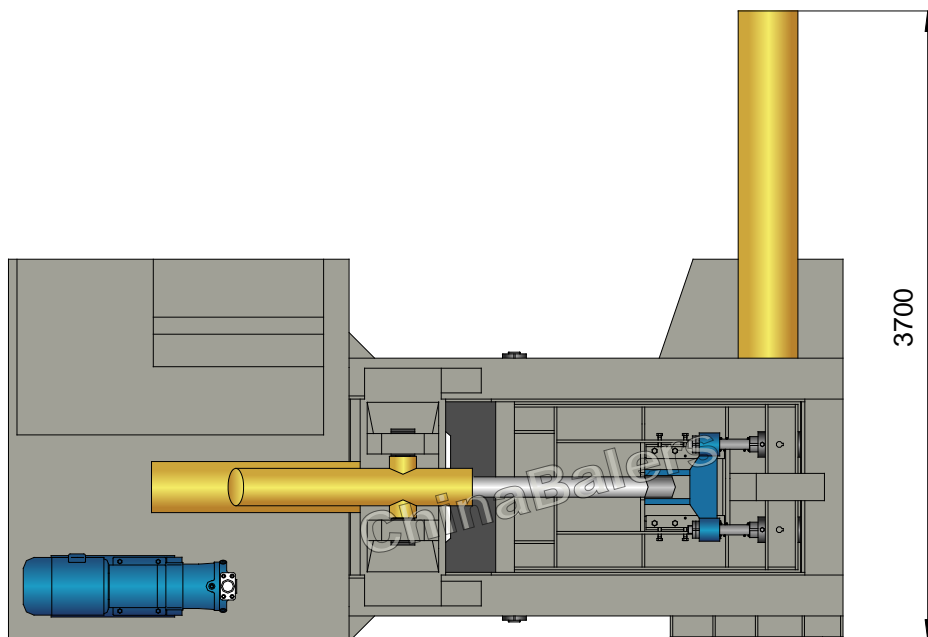
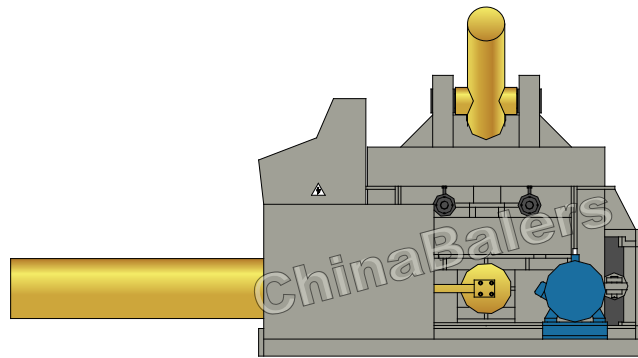
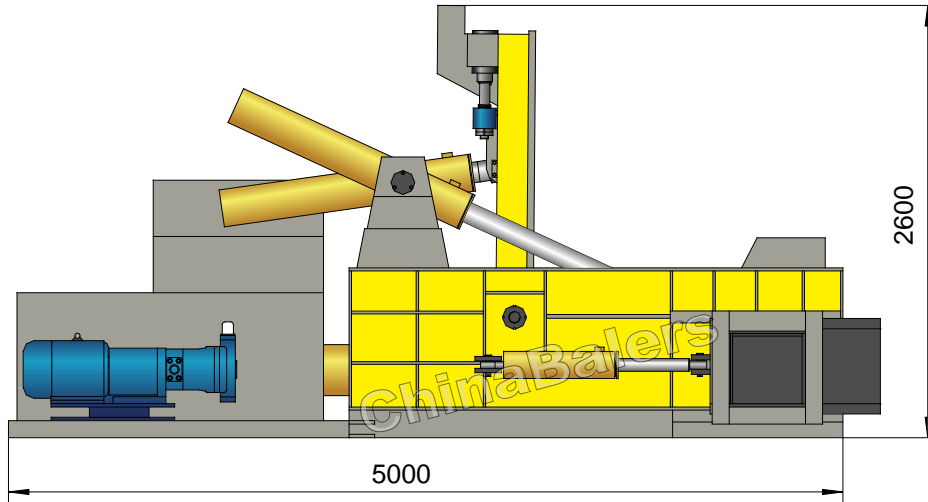
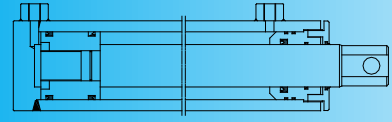
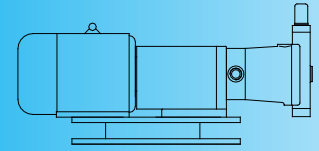


YE81T-200A



YE81T-200A



Metal Baling Machine

Model: YE81T-200A

Power System (Motor)

Type:	Y280S-6
Rated Power:	45 kW
Rated Speed:	980 rpm
Power Spec:	3PH, 50 / 60Hz

Hydraulic System (Pump)

Type:	250YCY14-1B
Rated Displacement:	250 ml/r
Max Operating Pressure:	31.5 MPa

Standard Configuration

#45 Steel Liners 20mm, Wholly Heat Treated;
NOK (JAPAN) Seal Packings for Cylinders;
Cooler / Heater; Magnetic Oil Filter.

General Description

Main Machine Size (L×W×H):	5000×3700×2600 mm
Press Box Size (L×W×H):	1600×1000×800 mm
Bale Size (W×H):	400×400 mm
Bale Weight (Steel):	120-200 kg
Production Rate (Steel):	2.5-4.0 tons/hr
Shipping Weight:	Approx. 13.5 tons
Loading (Standard Containers):	1×20'GP (Without Hopper)

Hydraulic Oil Brand

Oil Tank Volume: 1800 ltr

ISO VG	China	U.S.		Britain	France
	GB11118.1	CALTEX CO.	MOBIL	SHELL	ELF CO.
HM 46	46 #	Rando HD46	D.T.E46	Tellus 46	Elfolna 46
HM 68	68 #	Rando HD68	D.T.E68	Tellus 68	Elfolna 68

System Parameters

Lid Cyl. Force:	63 Ton
Side Pressure Cyl. Force:	135 Ton
Main Pressure Cyl. Force:	200 Ton
Small Door Cyl. Force:	32 Ton
Hydraulic System Pressure:	25 MPa
Idle Cycle Time:	Approx. 90 Sec

Operation System (Optional)

Option 1: Manual Valve Operation
Option 2: PLC Operation

Optional Configuration

Cutting Blades & Teeth (2 sides); Loading Hopper;
Mn65 Steel Liners for High Pressure Chamber;
Diesel / Diesel Generator for Power.

Above information are indicative not engaging. Rights reserved for change if necessary.