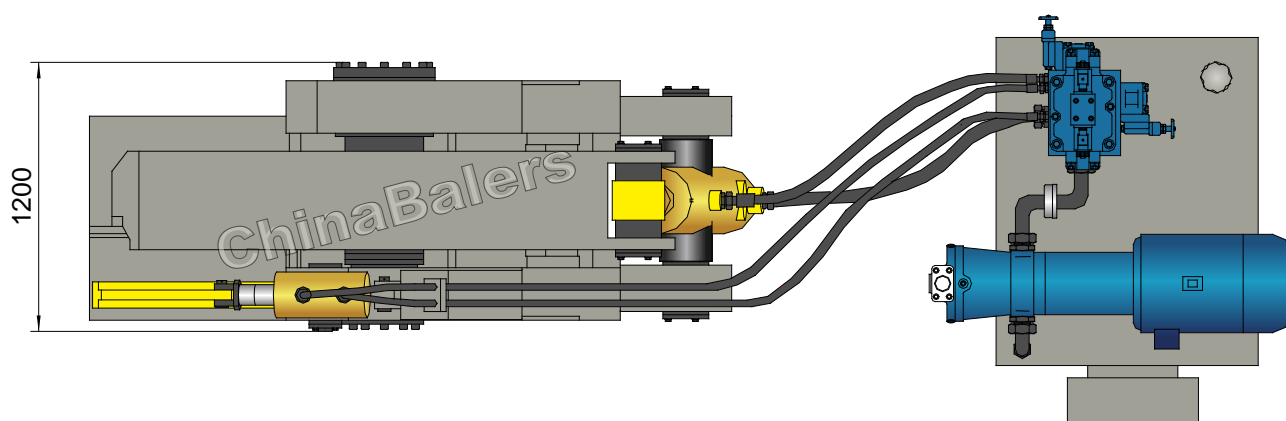
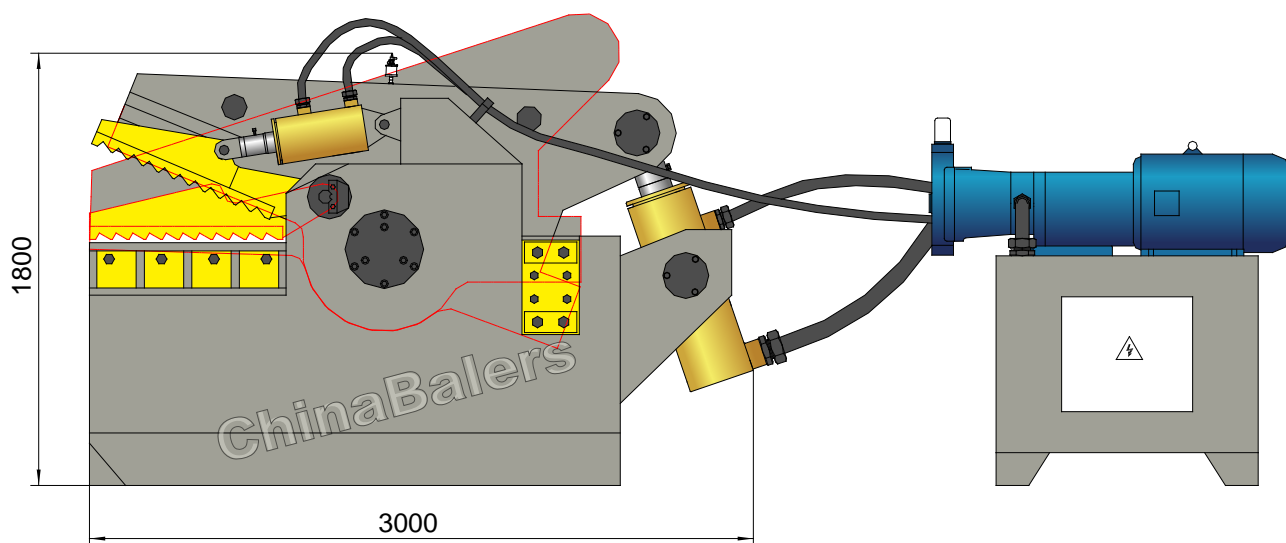
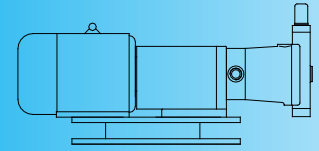


# Q43-2500A



# Q43-2500A



## Hydraulic Shear

Model: Q43-2500A

### Power System (Motor, 2 sets)

Type: Y160L-4  
 Rated Power: 15 kW (/set)  
 Rated Speed: 1460 rpm  
 Power Spec: 3PH, 50 / 60Hz

### Hydraulic System (Pump, 2 sets)

Type: 63YCY14-1B  
 Rated Displacement: 63 ml/r (/set)  
 Max Operating Pressure: 31.5 MPa

### Operation System

Hydro-electrical Valves, Push Button Control.

### System Parameters

Max. Shearing Force: 250 Ton  
 Max. Pressing Force: 26 Ton  
 Hydraulic System Pressure: 25 MPa  
 Cutting Speed: 6-8 times/min

### Max. Cutting Size

Angle Steel: 160×160×12 mm (3 PCS)  
 I-beam: 250×118×10 mm  
 Channel Steel: 280×124×11.5 mm  
 Steel Sheet: 20×700 / 40×300 mm  
 Square Billet: 63×63 mm  
 Round Steel Bar: φ70 mm

### Optional Configuration

NOK (JAPAN) Seal Packings for Cylinders;  
 Cooler / Heater; Magnetic Oil Filter;  
 Safety Caging;  
 Diesel / Diesel Generator for Power.

### General Description

Main Machine Size (L×W×H): 3000×1200×1800 mm  
 Blade Length: 1000 mm  
 Max. Blade Opening: 460 mm  
 Shipping Weight: Approx. 8.8 tons  
 Loading (Standard Containers): 1×20'GP

### Hydraulic Oil Brand

Oil Tank Volume: 1400 ltr

ISO VG	China	U.S.		Britain	France
	GB11118.1	CALTEX CO.	MOBIL	SHELL	ELF CO.
HM 46	46 #	Rando HD46	D.T.E46	Tellus 46	Elfolna 46
HM 68	68 #	Rando HD68	D.T.E68	Tellus 68	Elfolna 68

Above information are indicative not engaging. Rights reserved for change if necessary.