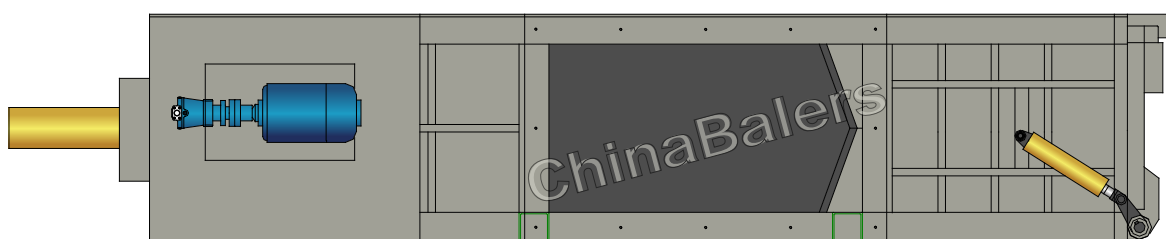
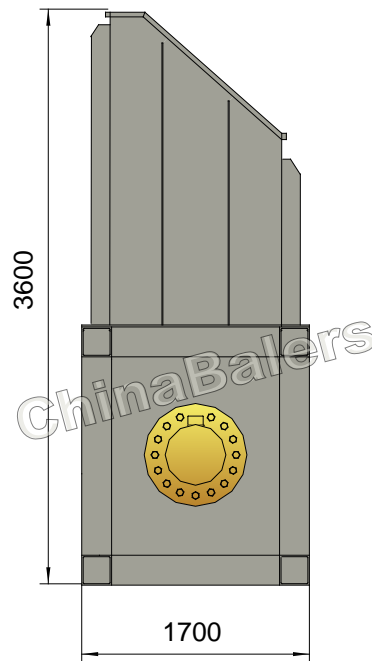
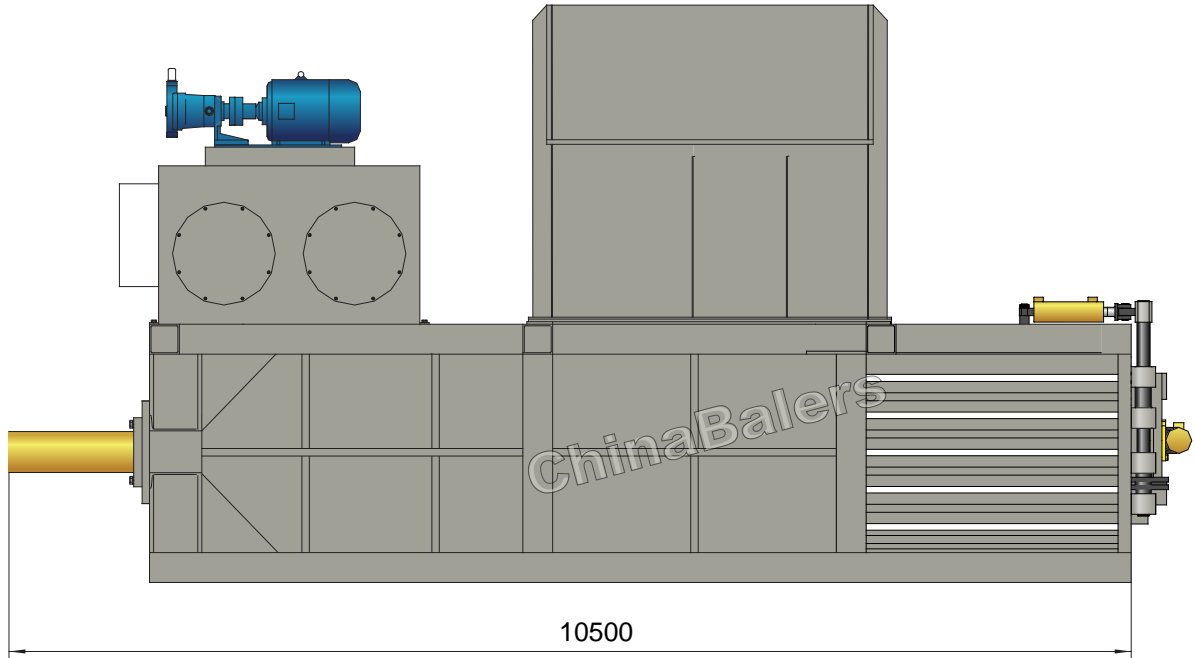


HPM250



HPM250



Horizontal Plastic Baler

Model: HPM250

Power System (Main Motor, 2 sets)

Type: Y280S-6
Rated Power: 45 kW (/set)
Rated Speed: 980 rpm
Power Spec: 3PH, 50 / 60Hz

System Parameters

Main Pressure Cyl. Force: 250 Ton
Locking Cyl. Force: 30 Ton
Open-door Cyl. Force: 23.5 Ton
Hydraulic System Pressure: 25 MPa

Hydraulic System (Pump, 3 sets)

Pump #1, #2: 250YCY14-1B
Rated Displacement: 250 ml/r (/set)
Max Operating Pressure: 31.5 MPa

Pump #3: 25YCY14-1B
Rated Displacement: 25 ml/r
Max Operating Pressure: 31.5 MPa

Standard Configuration

V-shaped Cutting Blades; Oil Cooler;
Conveyor Width 1600mm, Powered by 7.5kW Motor;
Discharging Roll Powered by 0.75kW Motor.

Optional Configuration

NOK (JAPAN) Seal Packings for Cylinders;
Oil Heater; Magnetic Oil Filter;
Diesel / Diesel Generator for Power.

Operation System

PLC Operation

General Description

Main Machine Size (L×W×H): 10500×1700×3600 mm
Feeding Opening (L×W): 2200×1120 mm
Bale Size (W×H): 1120×1300 mm
Bale Weight (PET Bottle): 780-950 kg
Production Rate (PET Bottle): 3.5-4.3 tons/hr
Strapping: Tempered Iron Wire, ϕ 3.6/4.0mm, 7 Lines, Manual Strapping.
Shipping Weight: Approx. 21 + 7 tons
Loading (Standard Containers): 2×40'GP

Hydraulic Oil Brand

Oil Tank Volume: 3200 ltr

ISO VG	China	U.S.		Britain	France
	GB11118.1	CALTEX CO.	MOBIL	SHELL	ELF CO.
HM 46	46 #	Rando HD46	D.T.E46	Tellus 46	Elfolna 46
HM 68	68 #	Rando HD68	D.T.E68	Tellus 68	Elfolna 68

Above information are indicative not engaging. Rights reserved for change if necessary.