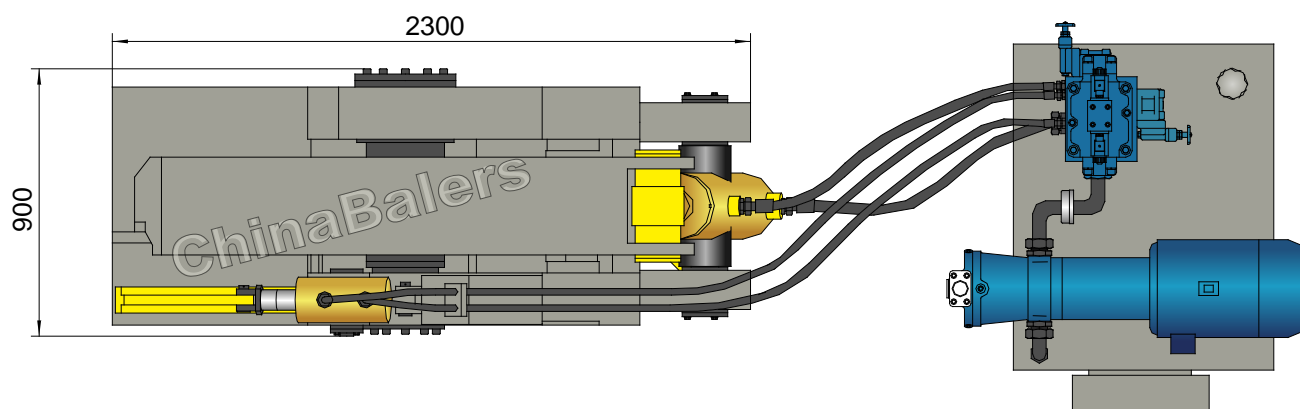
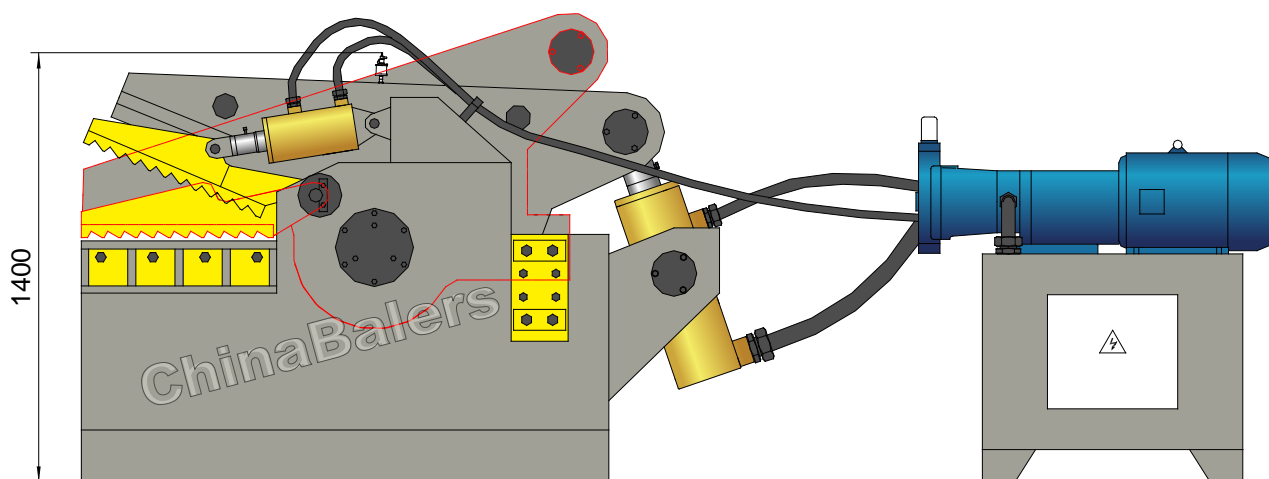
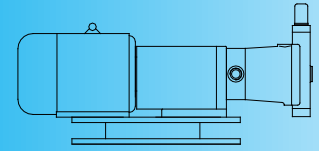


Q43-1200B



Q43-1200B



Crocodile Shear

Model: Q43-1200B

Power System (Motor)

Type: Y160L-4
Rated Power: 15 kW
Rated Speed: 1460 rpm
Power Spec: 3PH, 50 / 60Hz

Hydraulic System (Pump)

Type: 63YCY14-1B
Rated Displacement: 63 ml/r
Max Operating Pressure: 31.5 MPa

Operation System

Hydro-electrical Valves, Push Button Control.

System Parameters

Max. Shearing Force: 120 Ton
Max. Pressing Force: 20 Ton
Hydraulic System Pressure: 21 MPa
Cutting Speed: 8-12 times/min

Max. Cutting Size

Angle Steel: 100×100×10 mm (3 PCS)
Channel Steel: 180×68×8 mm
Steel Sheet: 25×140 mm
Square Billet: 40×40 mm
Round Steel Bar: φ45 mm

Optional Configuration

NOK (JAPAN) Seal Packings for Cylinders;
Cooler / Heater; Magnetic Oil Filter;
Safety Caging;
Diesel / Diesel Generator for Power.

General Description

Main Machine Size (L×W×H): 2300×900×1400 mm
Blade Length: 800 mm
Max. Blade Opening: 340 mm
Shipping Weight: Approx. 3.5 tons
Loading (Standard Containers): 1/2×20'GP

Hydraulic Oil Brand

Oil Tank Volume: 450 ltr

ISO VG	China	U.S.		Britain	France
	GB11118.1	CALTEX CO.	MOBIL	SHELL	ELF CO.
HM 46	46 #	Rando HD46	D.T.E46	Tellus 46	Elfolna 46
HM 68	68 #	Rando HD68	D.T.E68	Tellus 68	Elfolna 68

Above information are indicative not engaging. Rights reserved for change if necessary.