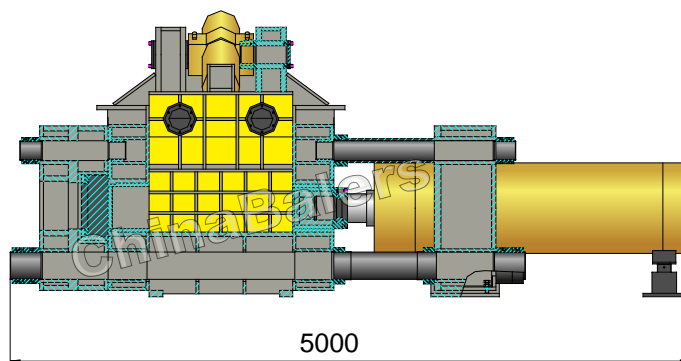
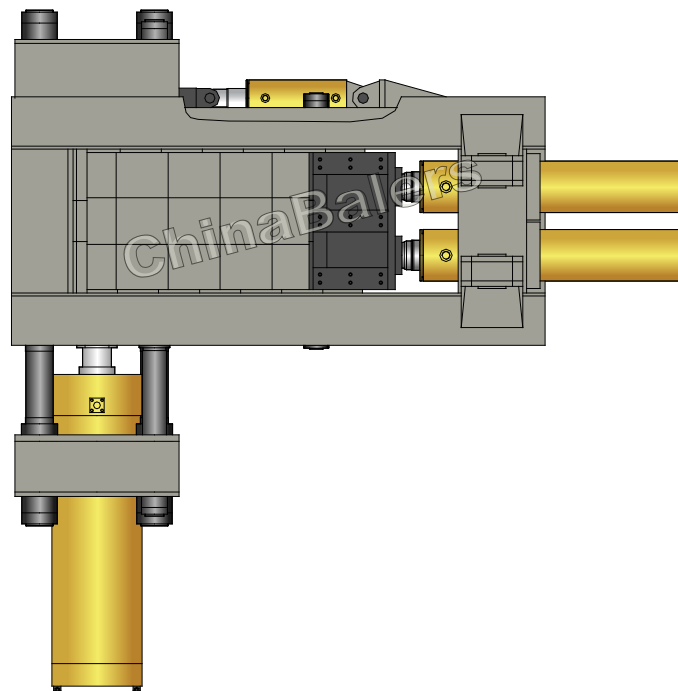
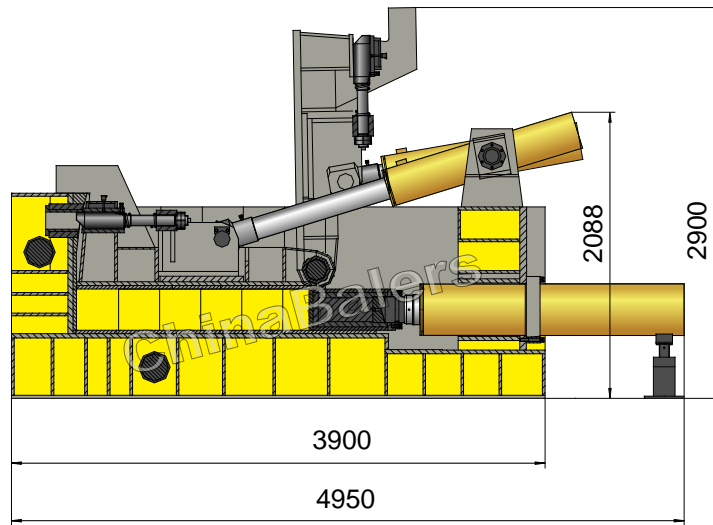


# Y81T-500



# Y81T-500



## Copper Compactor

Model: Y81T-500

### Power System (Motor, 2 sets)

Type:	Y225M-4
Rated Power:	45 kW (/set)
Rated Speed:	1480 rpm
Power Spec:	3PH, 50 / 60Hz

### Hydraulic System (Pump, 2 sets)

Type:	LY-A7V160
Rated Displacement:	160 ml/r (/set)
Max Operating Pressure:	35 MPa

### Operation System (Optional)

- Option 1: Manual Valve Operation
- Option 2: PLC Operation

### System Parameters

Lid Cyl. Force:	100 Ton
Side Pressure Cyl. Force:	2×180 Ton
Main Pressure Cyl. Force:	500 Ton
Small Door Cyl. Force:	80 Ton
Hydraulic System Pressure:	25 MPa
Idle Cycle Time:	Approx. 100 Sec

### Standard Configuration

A3 Steel Liners, Surface Heat Treatment.

### Optional Configuration

- Cutting Blades & Teeth (2 sides);
- Loading Hopper; Cooler / Heater;
- Diesel / Diesel Generator for Power.

### General Description

Main Machine Size (L×W×H):	4950×5000×2900 mm
Press Box Size (L×W×H):	1600×1000×900 mm
Bale Size (W×H):	300×300 mm
Bale Weight (Copper):	140-180 kg
Production Rate (Copper):	2.7-3.3 tons/hr
Shipping Weight:	Approx. 40 tons
Loading (Standard Containers):	

### Hydraulic Oil Brand

Oil Tank Volume:

2800 ltr

ISO VG	China	U.S.		Britain	France
	GB11118.1	CALTEX CO.	MOBIL	SHELL	ELF CO.
HM 46	46 #	Rando HD46	D.T.E46	Tellus 46	Elfolna 46
HM 68	68 #	Rando HD68	D.T.E68	Tellus 68	Elfolna 68

Above information are indicative not engaging. Rights reserved for change if necessary.