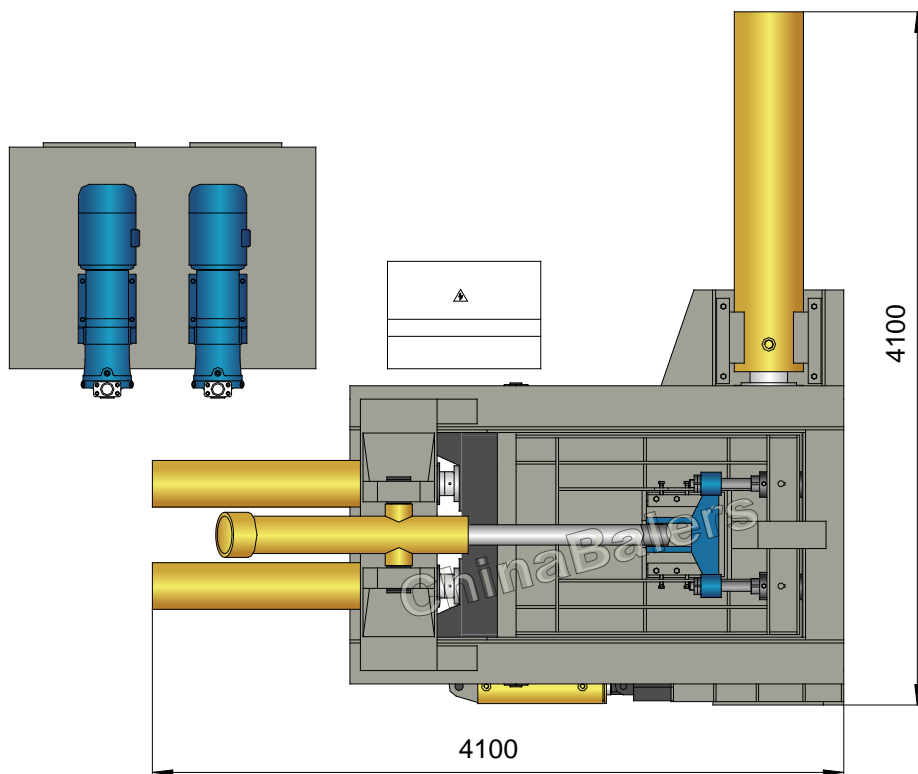
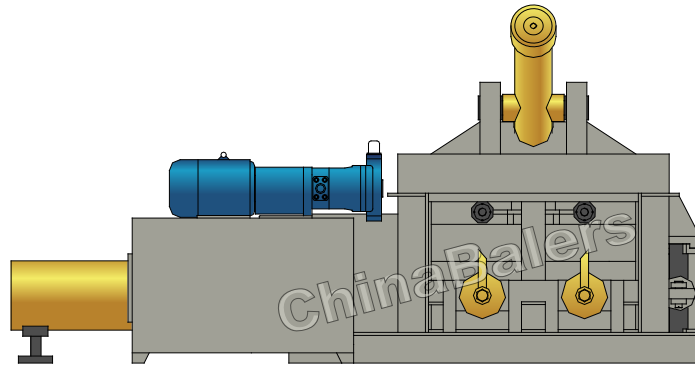
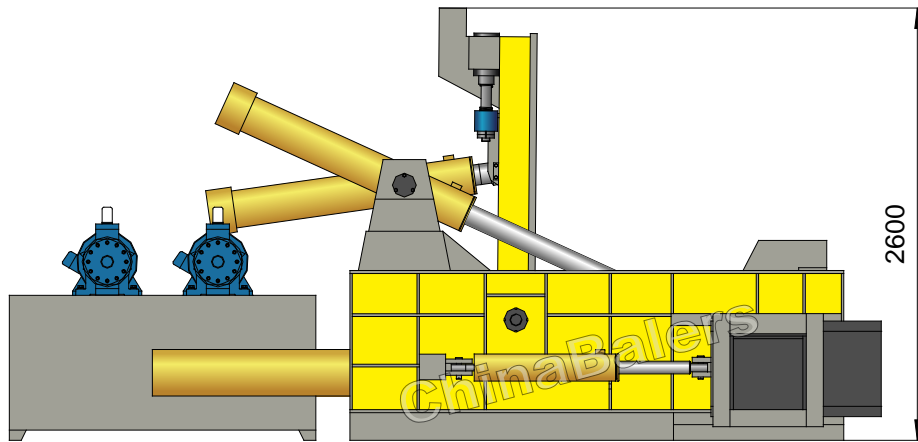
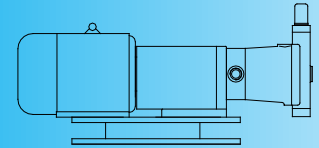


# Y81T-200B



# Y81T-200B



## Copper Baling Machine

Model: Y81T-200B

### Power System (Motor, 2 sets)

Type:	Y180M-4
Rated Power:	18.5 kW (/set)
Rated Speed:	1470 rpm
Power Spec:	3PH, 50 / 60Hz

### Hydraulic System (Pump, 2 sets)

Type:	80YCY14-1B
Rated Displacement:	80 ml/r (/set)
Max Operating Pressure:	31.5 MPa

### Operation System (Optional)

- Option 1: Manual Valve Operation
- Option 2: PLC Operation

### System Parameters

Lid Cyl. Force:	63 Ton
Side Pressure Cyl. Force:	2×100 Ton
Main Pressure Cyl. Force:	200 Ton
Small Door Cyl. Force:	50 Ton
Hydraulic System Pressure:	25 MPa
Idle Cycle Time:	Approx. 100 Sec

### Standard Configuration

A3 Steel Liners, Surface Heat Treatment.

### Optional Configuration

- Cutting Blades & Teeth (2 sides);
- Loading Hopper; Cooler / Heater;
- Diesel / Diesel Generator for Power.

### General Description

Main Machine Size (L×W×H):	4100×4100×2600 mm
Press Box Size (L×W×H):	1600×1200×800 mm
Bale Size (W×H):	400×400 mm
Bale Weight (Copper):	130-240 kg
Production Rate (Copper):	2.7-4.8 tons/hr
Shipping Weight:	Approx. 15 tons
Loading (Standard Containers):	

### Hydraulic Oil Brand

Oil Tank Volume:

1400 ltr

ISO VG	China	U.S.		Britain	France
	GB11118.1	CALTEX CO.	MOBIL	SHELL	ELF CO.
HM 46	46 #	Rando HD46	D.T.E46	Tellus 46	Elfolna 46
HM 68	68 #	Rando HD68	D.T.E68	Tellus 68	Elfolna 68

Above information are indicative not engaging. Rights reserved for change if necessary.