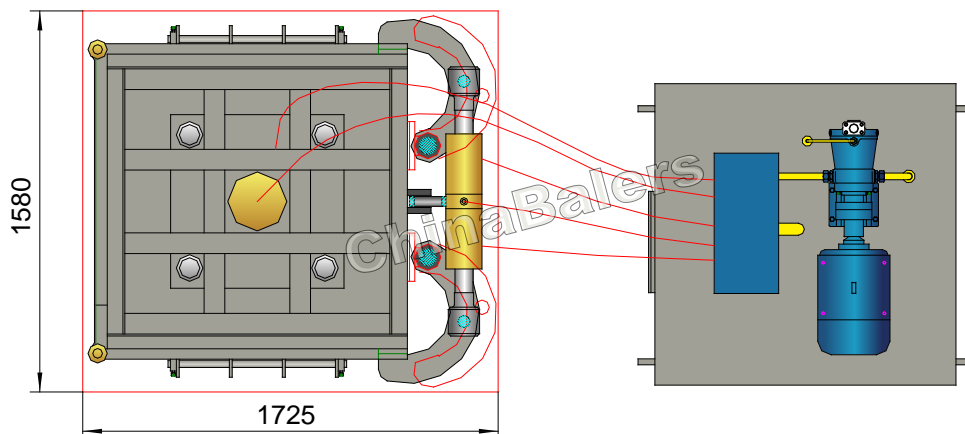
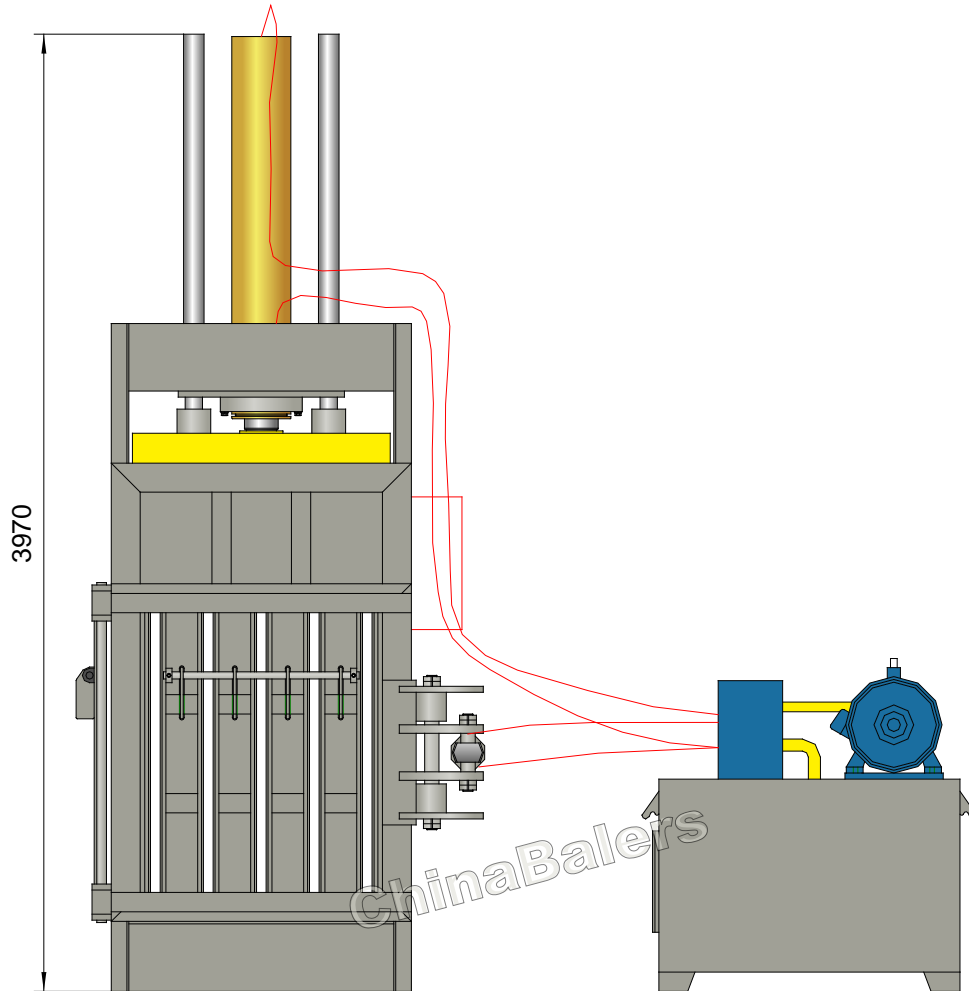
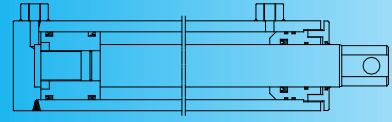
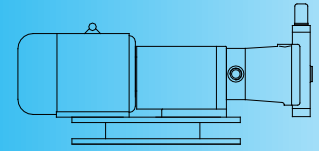


YE82-63FB



YE82-63FB



Cardboard Press Machine

Model: YE82-63FB

Power System (Motor)

Type:	Y180L-6
Rated Power:	15 kW
Rated Speed:	970 rpm
Power Spec:	3PH, 50 / 60Hz

System Parameters

Main Pressure Cyl. Force:	63 Ton
Locking Cyl. Force:	19 Ton
Hydraulic System Pressure:	20 MPa

Hydraulic System (Pump)

Type:	63YCY14-1B
Rated Displacement:	63 ml/r
Max Operating Pressure:	31.5 MPa

Standard Configuration

NOK (JAPAN) Seal Packings for Cylinders.

Operation System

Hydro-electrical Valves, Push Button Control.

General Description

Main Machine Size (L×W×H):	1725×1580×3970 mm
Press Box Size (L×W×H):	1100×1100×1600 mm
Space Between Ram & Bottom:	Max. 1600 mm; Min. 400 mm
Bale Size (L×W):	1100×1100 mm
Bale Weight (Cardboard):	350-500 kg
Production Rate (Cardboard):	1000-1500 kg/hr
Strapping:	Tempered Iron Wire, ϕ 2.8/3.2mm, 5 Lines, Manual Strapping.
Bale Discharging:	Turn-out at Returning Stroke
Shipping Weight:	Approx. 6.6 tons
Loading (Standard Containers):	1×20'GP

Hydraulic Oil Brand

Oil Tank Volume:

750 ltr

ISO VG	China	U.S.		Britain	France
	GB11118.1	CALTEX CO.	MOBIL	SHELL	ELF CO.
HM 46	46 #	Rando HD46	D.T.E46	Tellus 46	Elfolna 46
HM 68	68 #	Rando HD68	D.T.E68	Tellus 68	Elfolna 68

Above information are indicative not engaging. Rights reserved for change if necessary.