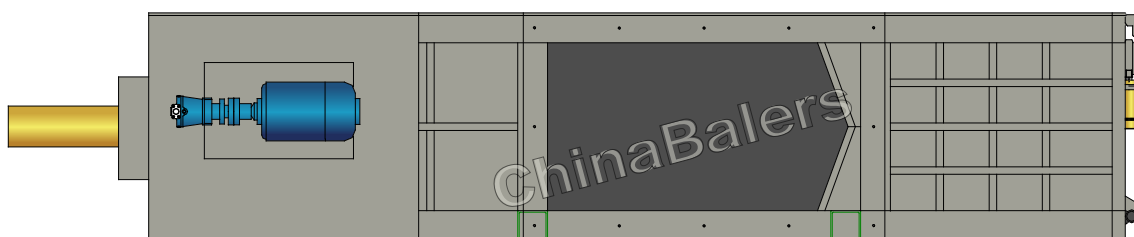
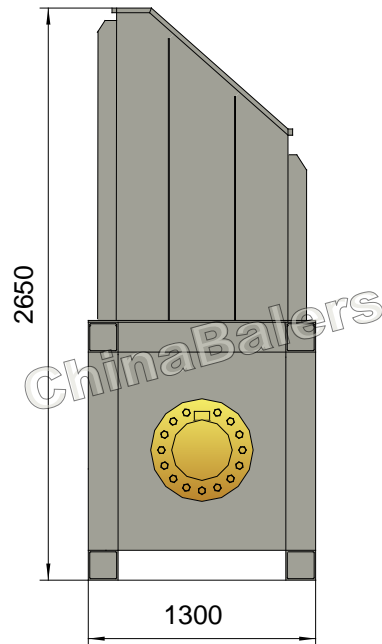
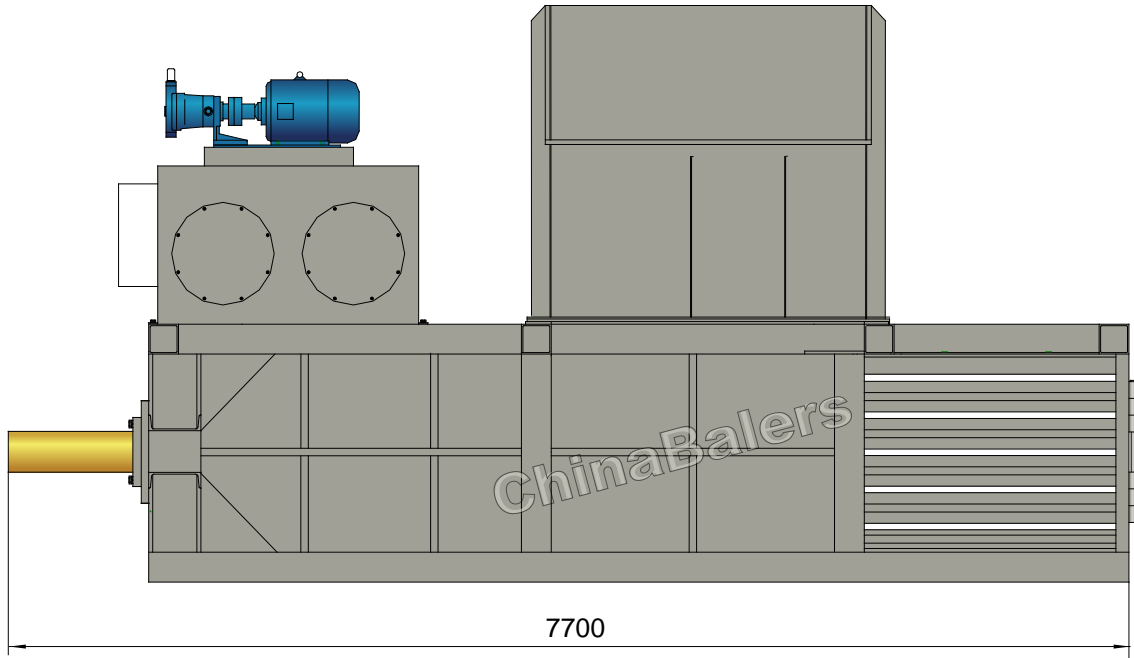
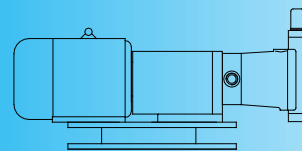


HPM63A



HPM63A



Cardboard Baler Machine

Model: HPM63A

Power System (Main Motor)

Type:	Y200L2-6
Rated Power:	22 kW
Rated Speed:	970 rpm
Power Spec:	3PH, 50 / 60Hz

System Parameters

Main Pressure Cyl. Force:	63 Ton
Locking Cyl. Force:	23.5 Ton
Open-door Cyl. Force:	12.5 Ton
Hydraulic System Pressure:	25 MPa

Hydraulic System (Pump, 2 sets)

Pump #1:	160YCY14-1B
Rated Displacement:	160 ml/r
Max Operating Pressure:	31.5 MPa

Pump #2:	25YCY14-1B
Rated Displacement:	25 ml/r
Max Operating Pressure:	31.5 MPa

Standard Configuration

V-shaped Cutting Blades; Oil Cooler;
Conveyor Width 1200mm, Powered by 5.5kW Motor;
Discharging Roll Powered by 0.75kW Motor.

Optional Configuration

NOK (JAPAN) Seal Packings for Cylinders;
Oil Heater; Magnetic Oil Filter;
Diesel / Diesel Generator for Power.

Operation System

PLC Operation

General Description

Main Machine Size (L×W×H):	7700×1300×2650 mm
Feeding Opening (L×W):	1400×800 mm
Bale Size (W×H):	800×800 mm
Bale Weight (Cardboard):	280-400 kg
Production Rate (Cardboard):	1.7-2.4 tons/hr
Strapping:	Tempered Iron Wire, ϕ 2.8/3.2mm, 4 Lines, Manual Strapping.
Shipping Weight:	Approx. 9 + 6 tons
Loading (Standard Containers):	2×40'GP

Hydraulic Oil Brand

Oil Tank Volume: 1200 ltr

ISO VG	China	U.S.		Britain	France
	GB11118.1	CALTEX CO.	MOBIL	SHELL	ELF CO.
HM 46	46 #	Rando HD46	D.T.E46	Tellus 46	Elfolna 46
HM 68	68 #	Rando HD68	D.T.E68	Tellus 68	Elfolna 68

Above information are indicative not engaging. Rights reserved for change if necessary.