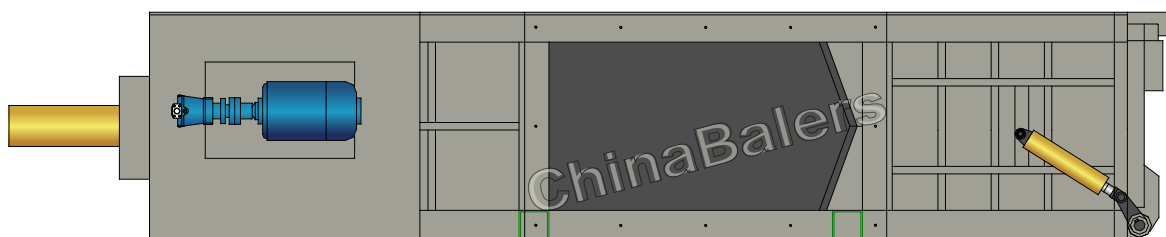
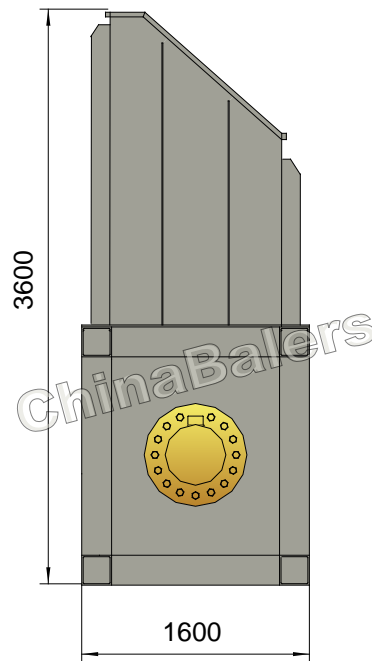
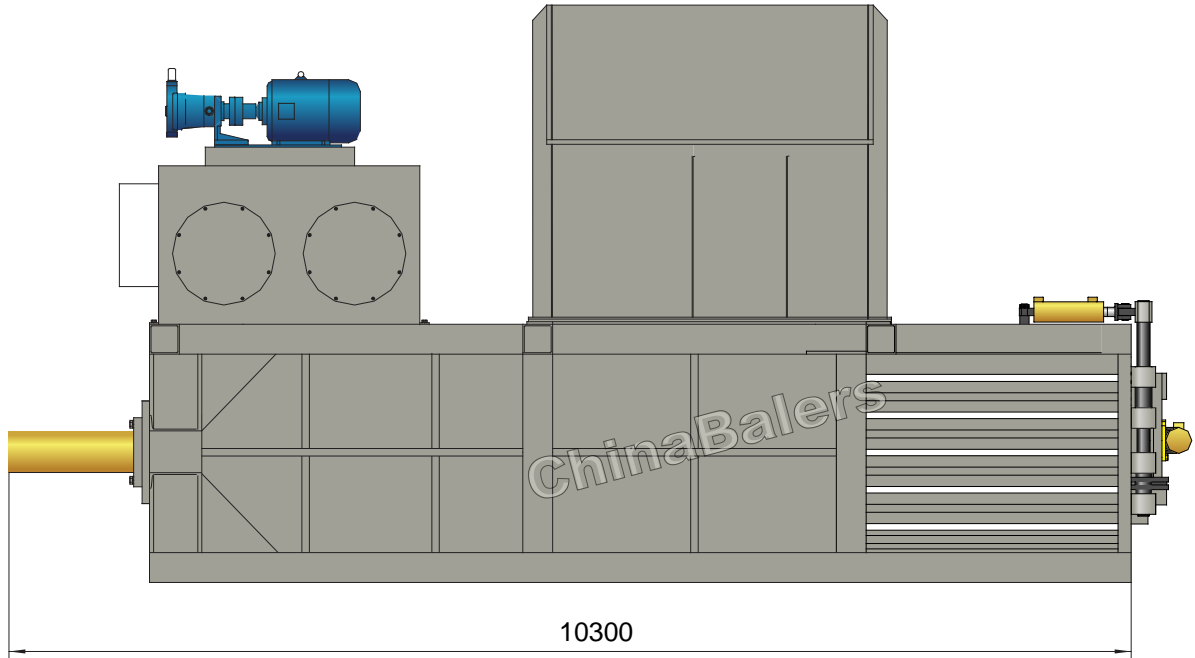


HPM125C



HPM125C



Cardboard Baler

Model: HPM125C

Power System (Main Motor)

Type: Y250M-6
 Rated Power: 37 kW
 Rated Speed: 980 rpm
 Power Spec: 3PH, 50 / 60Hz

System Parameters

Main Pressure Cyl. Force: 125 Ton
 Locking Cyl. Force: 23.5 Ton
 Open-door Cyl. Force: 12.5 Ton
 Hydraulic System Pressure: 25 MPa

Hydraulic System (Pump, 2 sets)

Pump #1: 250YCY14-1B
 Rated Displacement: 250 ml/r
 Max Operating Pressure: 31.5 MPa

Pump #2: 25YCY14-1B
 Rated Displacement: 25 ml/r
 Max Operating Pressure: 31.5 MPa

Standard Configuration

V-shaped Cutting Blades; Oil Cooler;
 Conveyor Width 1600mm, Powered by 7.5kW Motor;
 Discharging Roll Powered by 0.75kW Motor.

Optional Configuration

NOK (JAPAN) Seal Packings for Cylinders;
 Oil Heater; Magnetic Oil Filter;
 Diesel / Diesel Generator for Power.

Operation System

PLC Operation

General Description

Main Machine Size (L×W×H): 10300×1600×3600 mm
 Feeding Opening (L×W): 2200×1100 mm
 Bale Size (W×H): 1100×1100 mm
 Bale Weight (Cardboard): 730-1050 kg
 Production Rate (Cardboard): 4.4-6.3 tons/hr
 Strapping: Tempered Iron Wire, ϕ 2.8/3.2mm, 5 Lines, Manual Strapping.
 Shipping Weight: Approx. 15 + 7 tons
 Loading (Standard Containers): 2×40'GP

Hydraulic Oil Brand

Oil Tank Volume: 2000 ltr

| ISO VG | China | U.S. | | Britain | France |
|--------|-----------|------------|---------|-----------|------------|
| | GB11118.1 | CALTEX CO. | MOBIL | SHELL | ELF CO. |
| HM 46 | 46 # | Rando HD46 | D.T.E46 | Tellus 46 | Elfolna 46 |
| HM 68 | 68 # | Rando HD68 | D.T.E68 | Tellus 68 | Elfolna 68 |

Above information are indicative not engaging. Rights reserved for change if necessary.