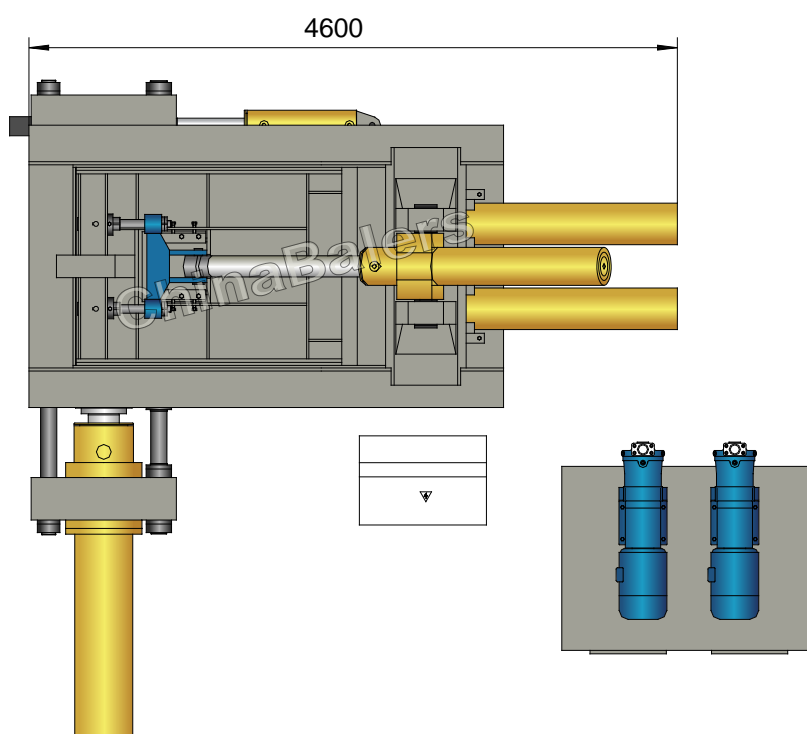
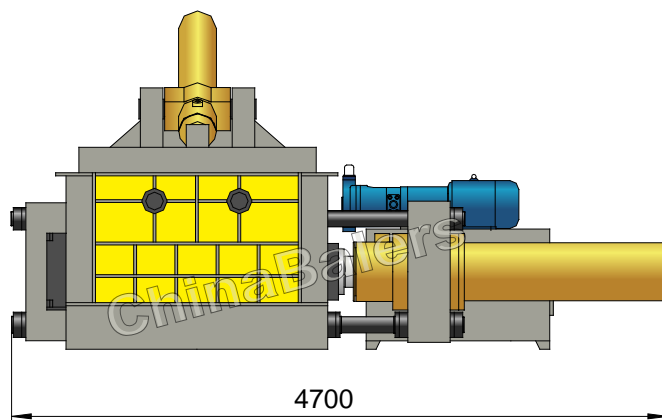
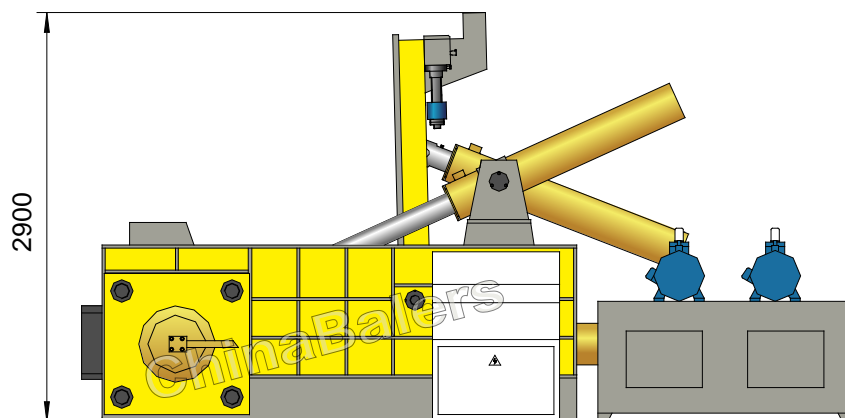
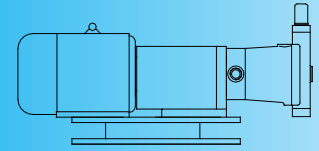


YE81T-200C



YE81T-200C



Car Scrap Baler

Model: YE81T-200C

Power System (Motor, 2 sets)

| | |
|--------------|----------------|
| Type: | Y200L2-6 |
| Rated Power: | 22 kW (/set) |
| Rated Speed: | 970 rpm |
| Power Spec: | 3PH, 50 / 60Hz |

Hydraulic System (Pump, 2 sets)

| | |
|-------------------------|-----------------|
| Type: | 160YCY14-1B |
| Rated Displacement: | 160 ml/r (/set) |
| Max Operating Pressure: | 31.5 MPa |

Standard Configuration

#45 Steel Liners 20mm, Wholly Heat Treated;
NOK (JAPAN) Seal Packings for Cylinders;
Cooler / Heater; Magnetic Oil Filter.

System Parameters

| | |
|----------------------------|-----------------|
| Lid Cyl. Force: | 80 Ton |
| Side Pressure Cyl. Force: | 2×100 Ton |
| Main Pressure Cyl. Force: | 200 Ton |
| Small Door Cyl. Force: | 50 Ton |
| Hydraulic System Pressure: | 25 MPa |
| Idle Cycle Time: | Approx. 110 Sec |

Operation System (Optional)

Option 1: Manual Valve Operation
Option 2: PLC Operation

Optional Configuration

Cutting Blades & Teeth (2 sides); Loading Hopper;
Mn65 Steel Liners for High Pressure Chamber;
Diesel / Diesel Generator for Power.

General Description

| | |
|--------------------------------|----------------------|
| Main Machine Size (L×W×H): | 4600×4700×2900 mm |
| Press Box Size (L×W×H): | 1800×1400×1000 mm |
| Bale Size (W×H): | 400×400 / 450×450 mm |
| Bale Weight (Steel): | 180-350 kg |
| Production Rate (Steel): | 3.5-6.0 tons/hr |
| Shipping Weight: | Approx. 25 tons |
| Loading (Standard Containers): | 2×20'GP |

Hydraulic Oil Brand

Oil Tank Volume: 2300 ltr

| ISO VG | China | U.S. | | Britain | France |
|--------|-------|------------|------------|-----------|------------|
| | | GB11118.1 | CALTEX CO. | MOBIL | SHELL |
| HM 46 | 46 # | Rando HD46 | D.T.E46 | Tellus 46 | Elfolna 46 |
| HM 68 | 68 # | Rando HD68 | D.T.E68 | Tellus 68 | Elfolna 68 |

Above information are indicative not engaging. Rights reserved for change if necessary.