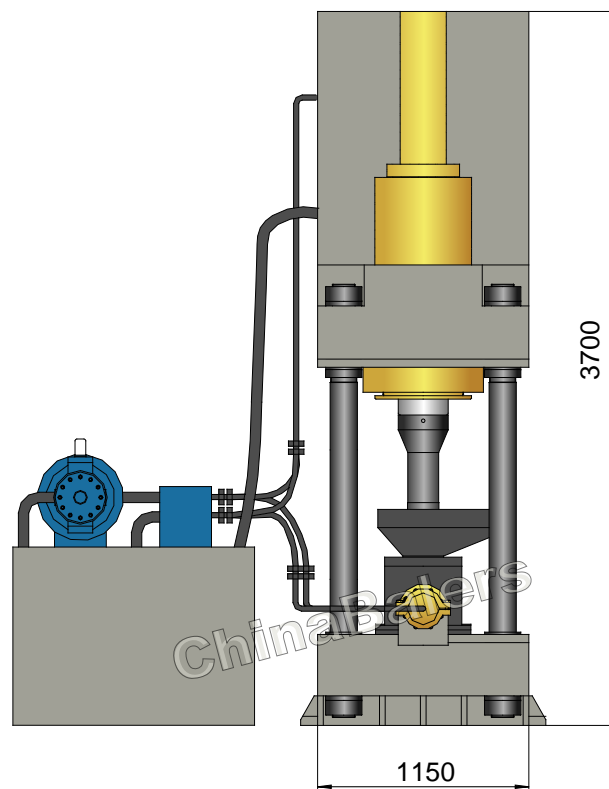
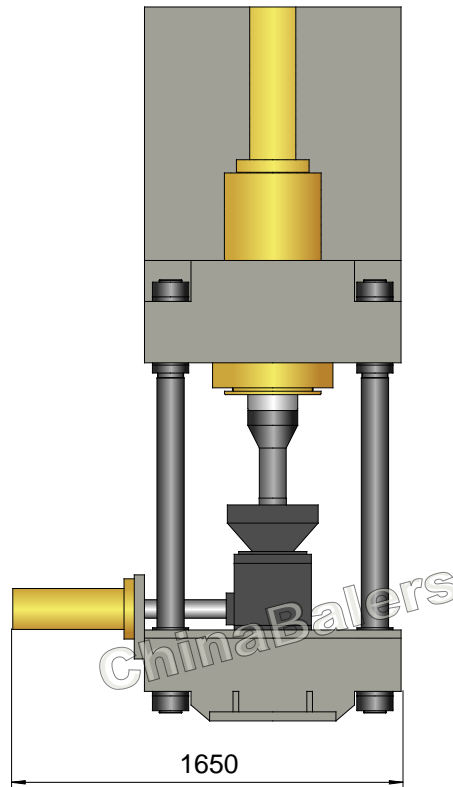
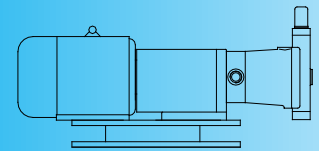


YE83-315



YE83-315



Briquetting Machine

Model: YE83-315

Power System (Motor)

Type: Y225M-6
Rated Power: 30 kW
Rated Speed: 980 rpm
Power Spec: 3PH, 50 / 60Hz

System Parameters

Main Cyl. Force: 285 Ton
Auxiliary Cyl. Force: 55 Ton
Discharging Cyl. Force: 30 Ton
Hydraulic System Pressure: 25 MPa
Idle Cycle Time: 12-15 Sec

Hydraulic System (Pump)

Type: 160YCY14-1B
Rated Displacement: 160 ml/r
Max Operating Pressure: 31.5 MPa

Operation System

PLC Operation

Standard Configuration

NOK (JAPAN) Seal Packings for Cylinders;
Cooler / Heater; Magnetic Oil Filter.

Optional Configuration

Feeding Conveyor & Vibrating Motor;
Diesel / Diesel Generator for Power.

General Description

Main Machine Size (L×W×H): 1650×1150×3700 mm
Press Mould Size (Dia×H): Φ 120×300 mm
Pressure on Briquet: 278 MPa
Briquet Size (Dia×H): Φ 120×(70-100) mm
Briquet Weight (Cast Iron): 4.4-6.3 kg
Production Rate (Cast Iron): 1100-1200 kg/hr
Shipping Weight: Approx. 9 tons
Loading (Standard Containers): 1×20'GP

Hydraulic Oil Brand

Oil Tank Volume: 2500 ltr

ISO VG	China	U.S.		Britain	France
	GB11118.1	CALTEX CO.	MOBIL	SHELL	ELF CO.
HM 46	46 #	Rando HD46	D.T.E46	Tellus 46	Elfolna 46
HM 68	68 #	Rando HD68	D.T.E68	Tellus 68	Elfolna 68

Above information are indicative not engaging. Rights reserved for change if necessary.