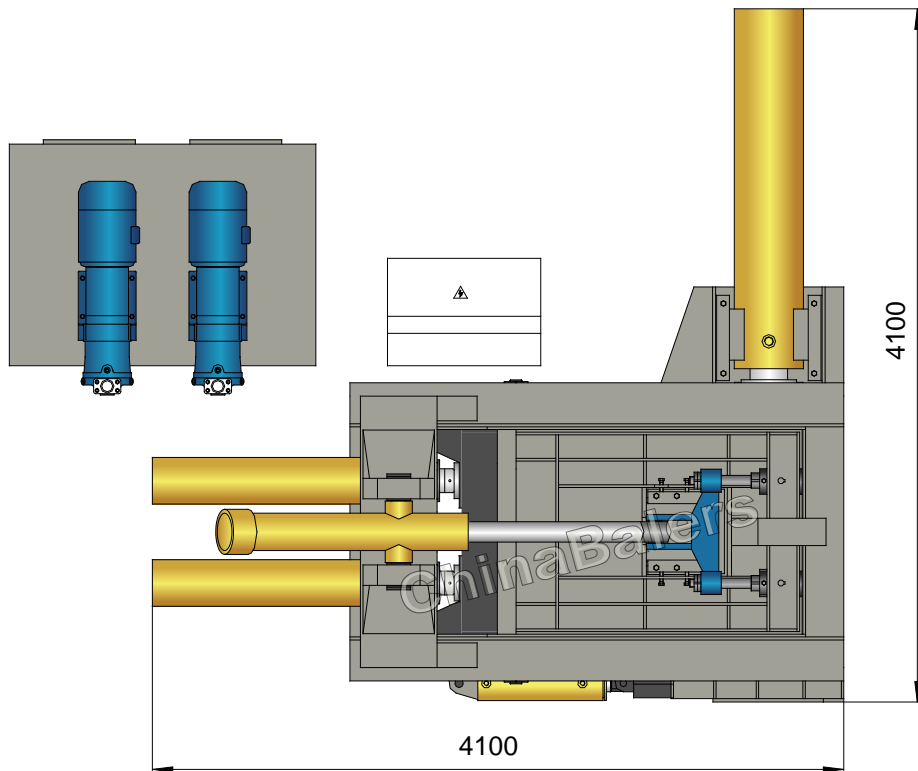
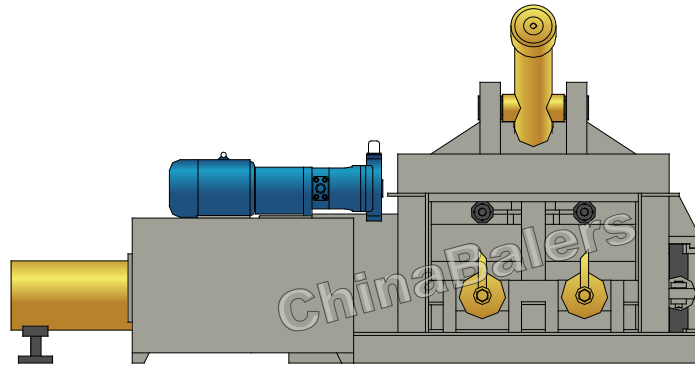
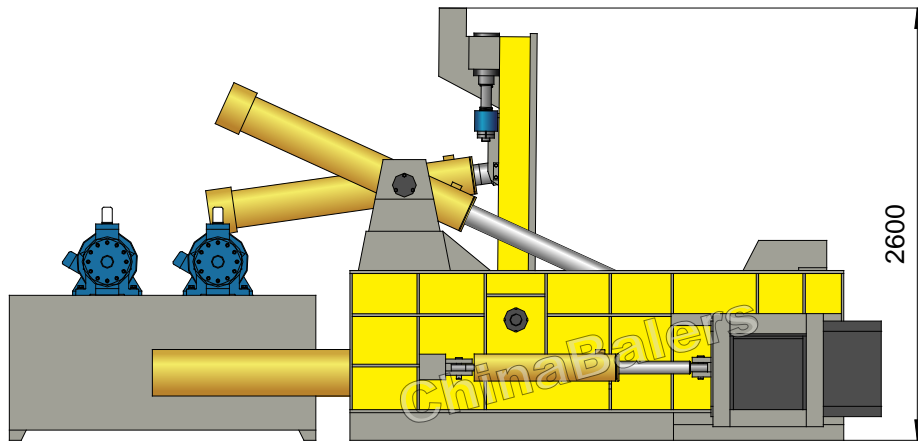


# Y81T-200B



# Y81T-200B



## Aluminum Waste Baler

Model: Y81T-200B

### Power System (Motor, 2 sets)

Type: Y180M-4  
 Rated Power: 18.5 kW (/set)  
 Rated Speed: 1470 rpm  
 Power Spec: 3PH, 50 / 60Hz

### Hydraulic System (Pump, 2 sets)

Type: 80YCY14-1B  
 Rated Displacement: 80 ml/r (/set)  
 Max Operating Pressure: 31.5 MPa

### Operation System (Optional)

Option 1: Manual Valve Operation  
 Option 2: PLC Operation

### System Parameters

Lid Cyl. Force: 63 Ton  
 Side Pressure Cyl. Force: 2×100 Ton  
 Main Pressure Cyl. Force: 200 Ton  
 Small Door Cyl. Force: 50 Ton  
 Hydraulic System Pressure: 25 MPa  
 Idle Cycle Time: Approx. 100 Sec

### Standard Configuration

A3 Steel Liners, Surface Heat Treatment.

### Optional Configuration

Cutting Blades & Teeth (2 sides);  
 Loading Hopper; Cooler / Heater;  
 Diesel / Diesel Generator for Power.

### General Description

Main Machine Size (L×W×H): 4100×4100×2600 mm  
 Press Box Size (L×W×H): 1600×1200×800 mm  
 Bale Size (W×H): 400×400 mm  
 Bale Weight (Aluminum): 40-80 kg  
 Production Rate (Aluminum): 0.8-1.6 tons/hr  
 Shipping Weight: Approx. 15 tons  
 Loading (Standard Containers):

### Hydraulic Oil Brand

Oil Tank Volume: 1400 ltr

ISO VG	China	U.S.		Britain	France
	GB11118.1	CALTEX CO.	MOBIL	SHELL	ELF CO.
HM 46	46 #	Rando HD46	D.T.E46	Tellus 46	Elfolna 46
HM 68	68 #	Rando HD68	D.T.E68	Tellus 68	Elfolna 68

Above information are indicative not engaging. Rights reserved for change if necessary.