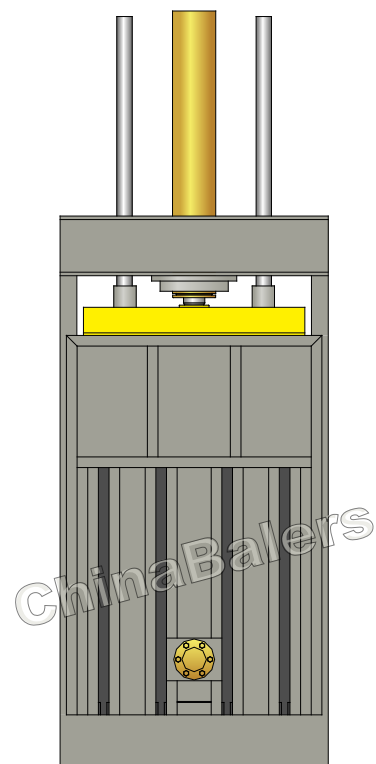
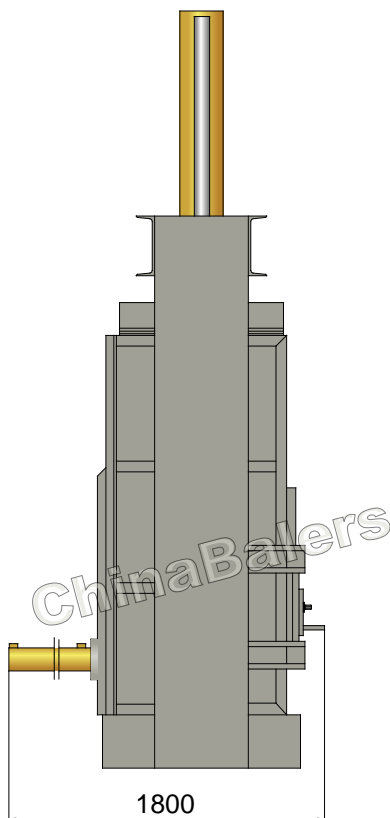
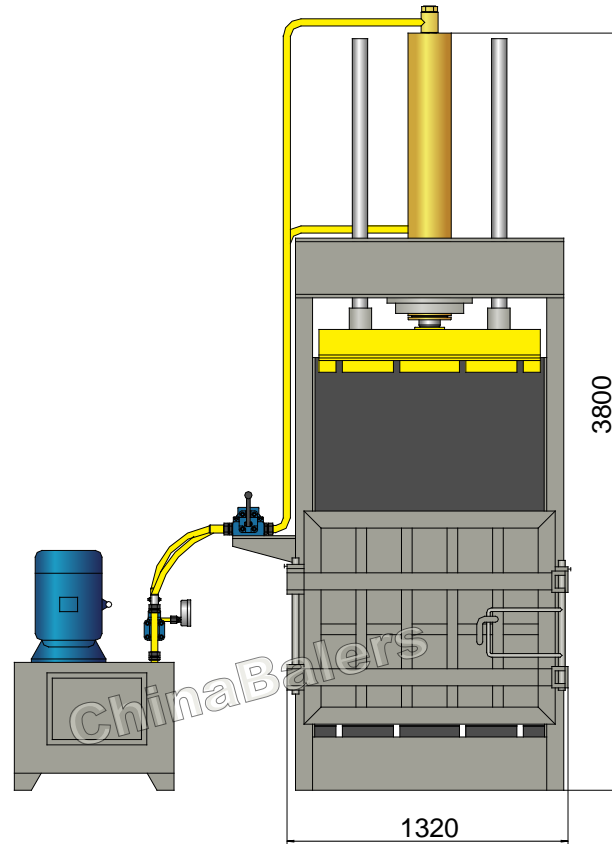
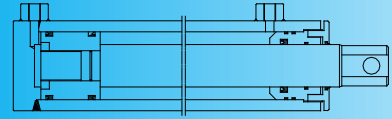
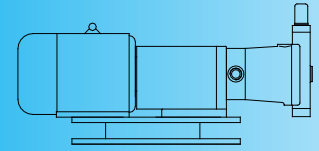


YE82T-35F



YE82T-35F



PE Baling Press

Model: YE82T-35F

Power System (Motor)

Type: Y180L-6 / Y160L-4
 Rated Power: 15 / 15 kW
 Rated Speed: 970 / 1460 rpm
 Power Spec: 3PH, 50 / 60Hz

System Parameters

Main Pressure Cyl. Force: 35 Ton
 Ejection Cyl. Force: 7 Ton
 Hydraulic System Pressure: 14 MPa

Hydraulic System (Pump)

Type: 63YCY / PV2R2-41
 Rated Displacement: 63 / 41.3 ml/r
 Max Operating Pressure: 31.5 / 21 MPa

Standard Configuration

NOK (JAPAN) Seal Packings for Cylinders.

Operation System

Manual Valve Operation

General Description

Main Machine Size (L×W×H): 1550×1800×3800 mm
 Press Box Size (L×W×H): 1100×750×1500 mm
 Space Between Ram & Bottom: Max. 1500 mm; Min. 300 mm
 Bale Size (L×W): 1100×750 mm
 Bale Weight (PE Film): 200-300 kg
 Production Rate (PE Film): 600-1000 kg/hr
 Strapping: Tempered Iron Wire, ϕ 2.8/3.2mm, 4 Lines, Manual Strapping.
 Bale Discharging: By Ejection Cylinder
 Shipping Weight: Approx. 2.6 tons
 Loading (Standard Containers): 1/2×20'GP

Hydraulic Oil Brand

Oil Tank Volume: 320 ltr

ISO VG	China	U.S.		Britain	France
	GB11118.1	CALTEX CO.	MOBIL	SHELL	ELF CO.
HM 46	46 #	Rando HD46	D.T.E46	Tellus 46	Elfolna 46
HM 68	68 #	Rando HD68	D.T.E68	Tellus 68	Elfolna 68

Above information are indicative not engaging. Rights reserved for change if necessary.