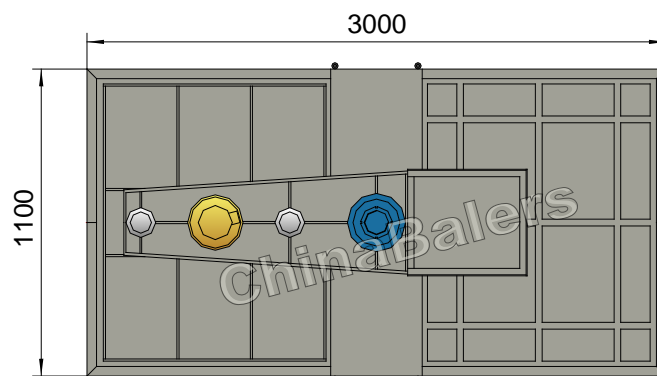
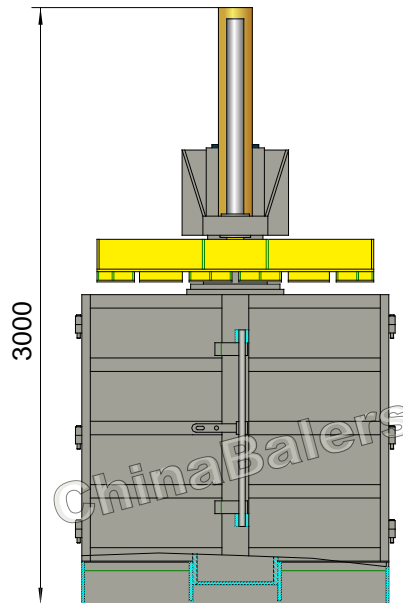
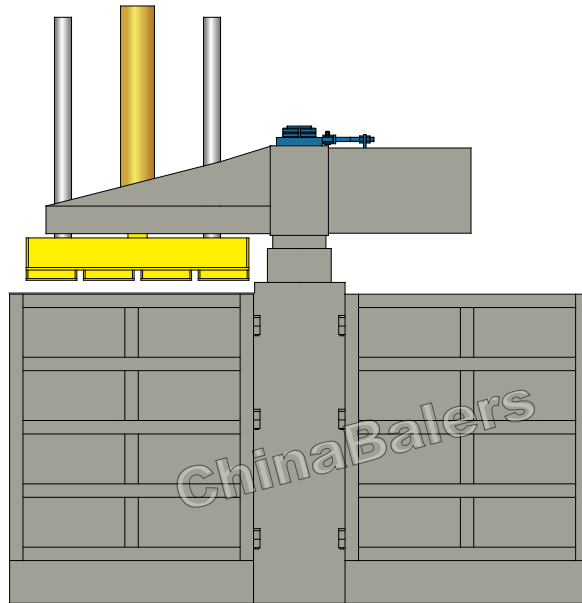


YE82-12F



YE82-12F



OCC Baler

Model: YE82-12F

Power System (Motor)

Type: Y112M-4
Rated Power: 4 kW
Rated Speed: 1440 rpm
Power Spec: 3PH, 50 / 60Hz

System Parameters

Main Pressure Cyl. Force: 12 Ton
Hydraulic System Pressure: 9.5 MPa

Hydraulic System (Pump)

Type: PV2R1-17
Rated Displacement: 17.1 ml/r
Max Operating Pressure: 21 MPa

Standard Configuration

NOK (JAPAN) Seal Packings for Cylinders.

Operation System

Hydro-electrical Valves, Push Button Control.

General Description

Main Machine Size (L×W×H): 3000×1100×3000 mm
Press Box Size (L×W×H): 1200×900×1170 mm (Dual Chamber)
Space Between Ram & Bottom: Max. 1250 mm; Min. 350 mm
Bale Size (L×W): 1200×900 mm
Bale Weight (Cardboard): 150-200 kg
Production Rate (Cardboard): 900-1200 kg/hr
Strapping: Tempered Iron Wire, $\phi 2.8/3.2$ mm, 8 Lines 2-way, Manual Strapping.
Bale Discharging: Manual Discharging
Shipping Weight: Approx. 3.5 tons
Loading (Standard Containers): 1/2×20'GP

Hydraulic Oil Brand

Oil Tank Volume:

120 ltr

ISO VG	China	U.S.		Britain	France
	GB11118.1	CALTEX CO.	MOBIL	SHELL	ELF CO.
HM 46	46 #	Rando HD46	D.T.E46	Tellus 46	Elfolna 46
HM 68	68 #	Rando HD68	D.T.E68	Tellus 68	Elfolna 68

Above information are indicative not engaging. Rights reserved for change if necessary.